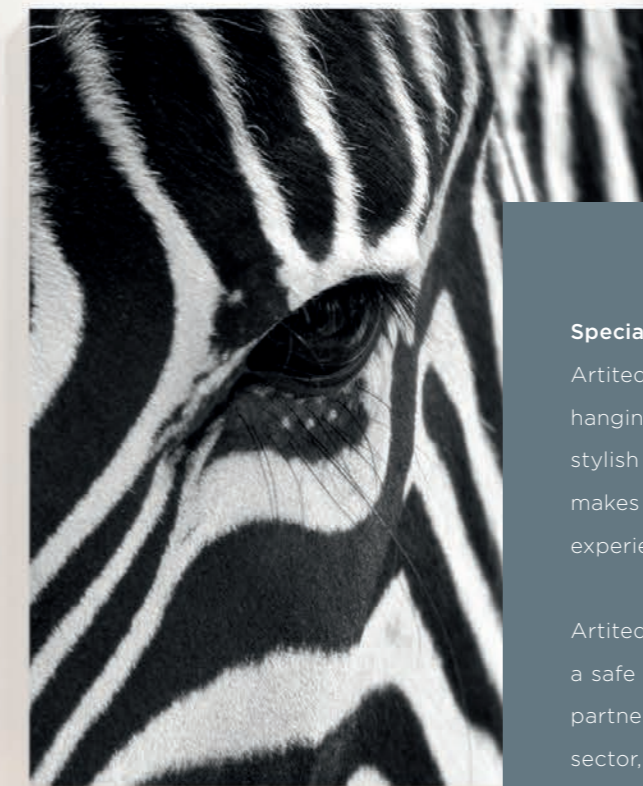




# STATE OF THE ART HANGING SYSTEMS

BACK FRAME HANGING SYSTEM

► **ARTITEQ** BACK FRAME HANGING SYSTEM



**Specialist in hanging**

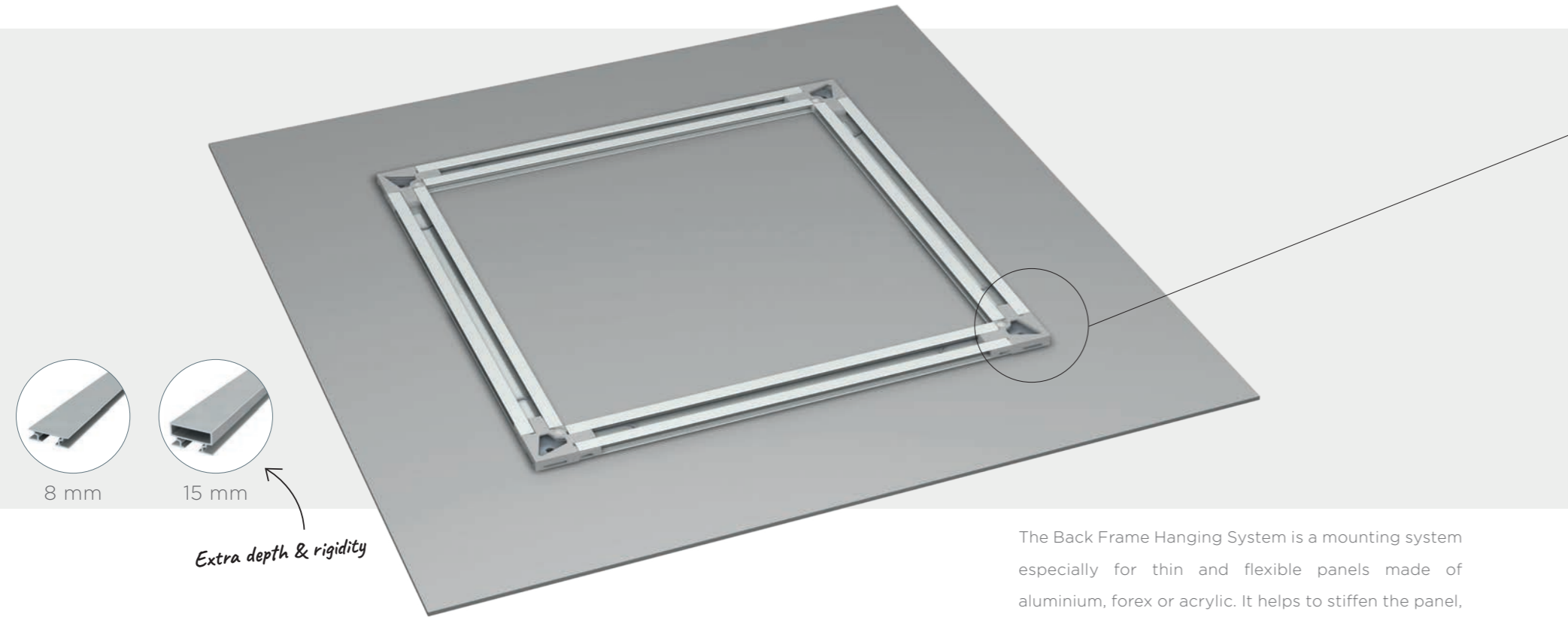
Artiteq has specialised in hanging concepts since 1995. A good hanging system is essential for displaying art and giving rooms a stylish look. A system isn't just about hanging: a professional system makes it easy to develop different settings, therefore creating new experiences.

Artiteq is for professionals and consumers who want the guarantee of a safe yet flexible way to hang art, frames and wall decorations. As a partner in hanging solutions, Artiteq has a presence in the educational sector, the healthcare sector and in galleries and museums. Our innovative hanging systems are also used in offices and commercial environments, making an impact with information and decorations.

The Artiteq range now includes the Back Frame Hanging System, providing a solid and simple solution for hanging printed panels.

## ▶ ARTITEQ BACK FRAME HANGING SYSTEM

A **safe** and **solid** solution for hanging printed panels.  
 Adds **depth** and **shadow** between panel and wall.  
 Adds **rigidity** to flexible panels made of aluminium (Dibond), forex or acrylic.



The Back Frame Hanging System is a mounting system especially for thin and flexible panels made of aluminium, forex or acrylic. It helps to stiffen the panel, whilst mounting remains easy and safe. The levelling system provided by the Back Frame Power Corners is perfect for mounted panels, allowing adjustment of the panel by up to 6 mm. The panel will always be level without new holes having to be drilled.

## ▶ BACK FRAME POWER CORNERS

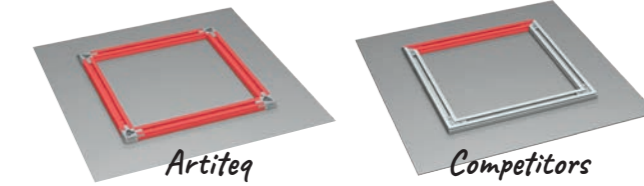


### 1. WALL PROTECTION INCORPORATED

Wall protection is incorporated into the Power Corners.



### 2. LESS TAPE, BETTER LOAD CAPACITY



Power Corners ensure equal weight distribution because of the rigid fixing achieved by a steel spring in square-cut profiles, instead of mitre-cut profiles.

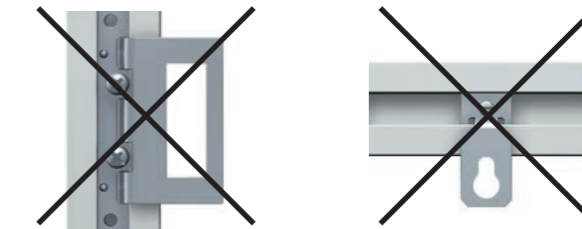
### 3. EASY HANGING: 3 OPTIONS

Power Corners provide 3 easy ways of hanging the printed panel: Fixed (1), Secured (2) and Flexible (3).

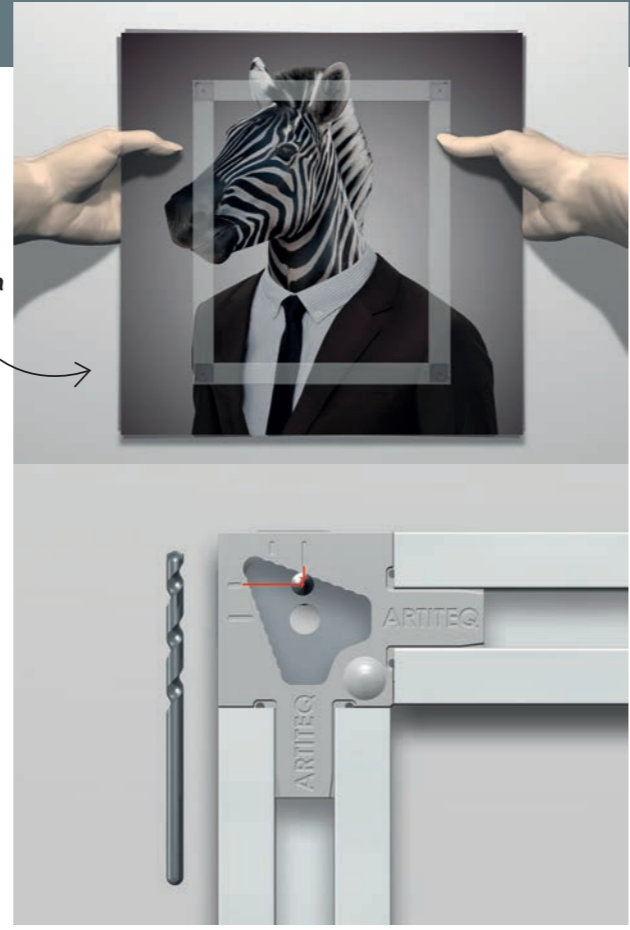
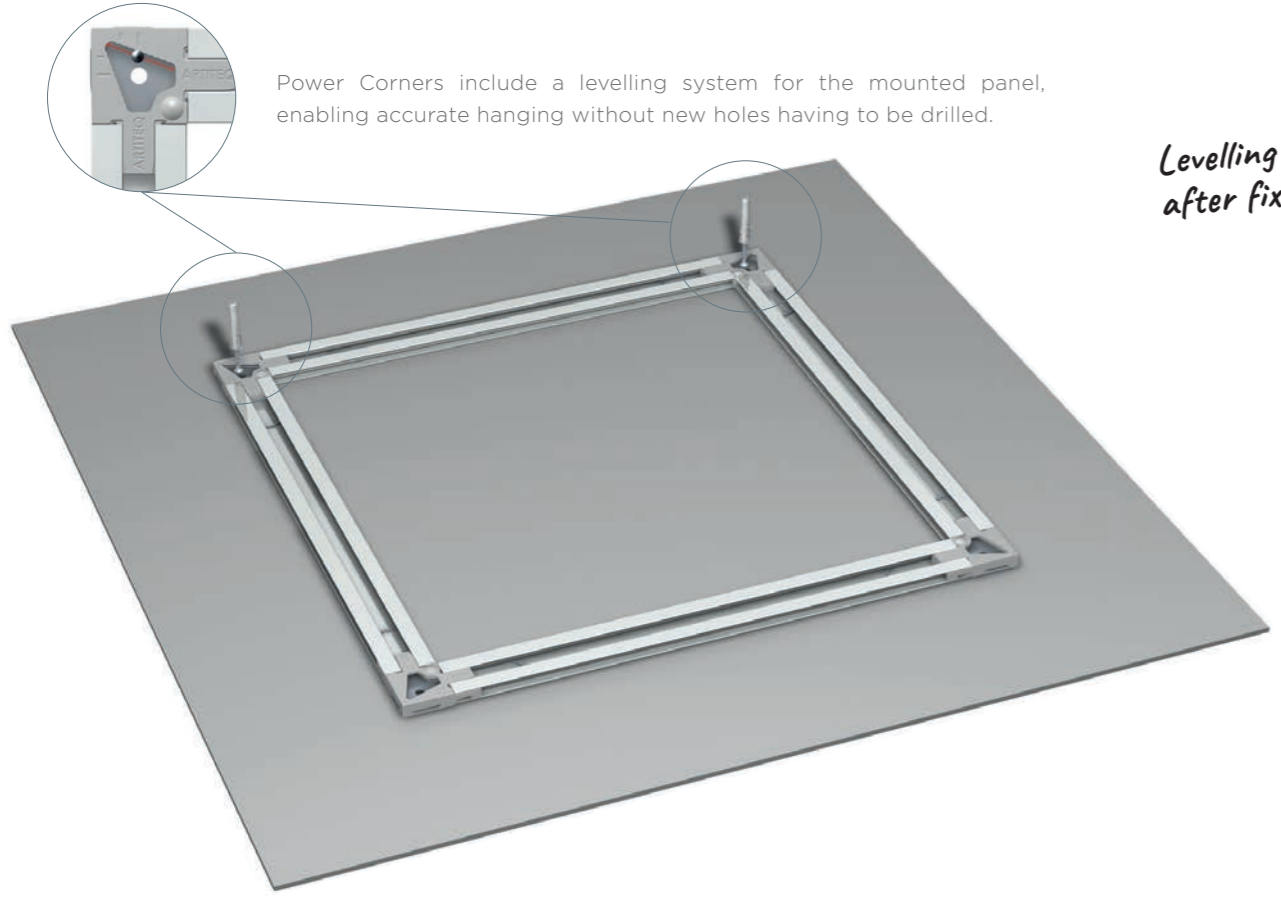


### 4. NO EXTRA ACCESSORIES NEEDED

The printed panel is hung using the Power Corners, no extra accessories are needed.

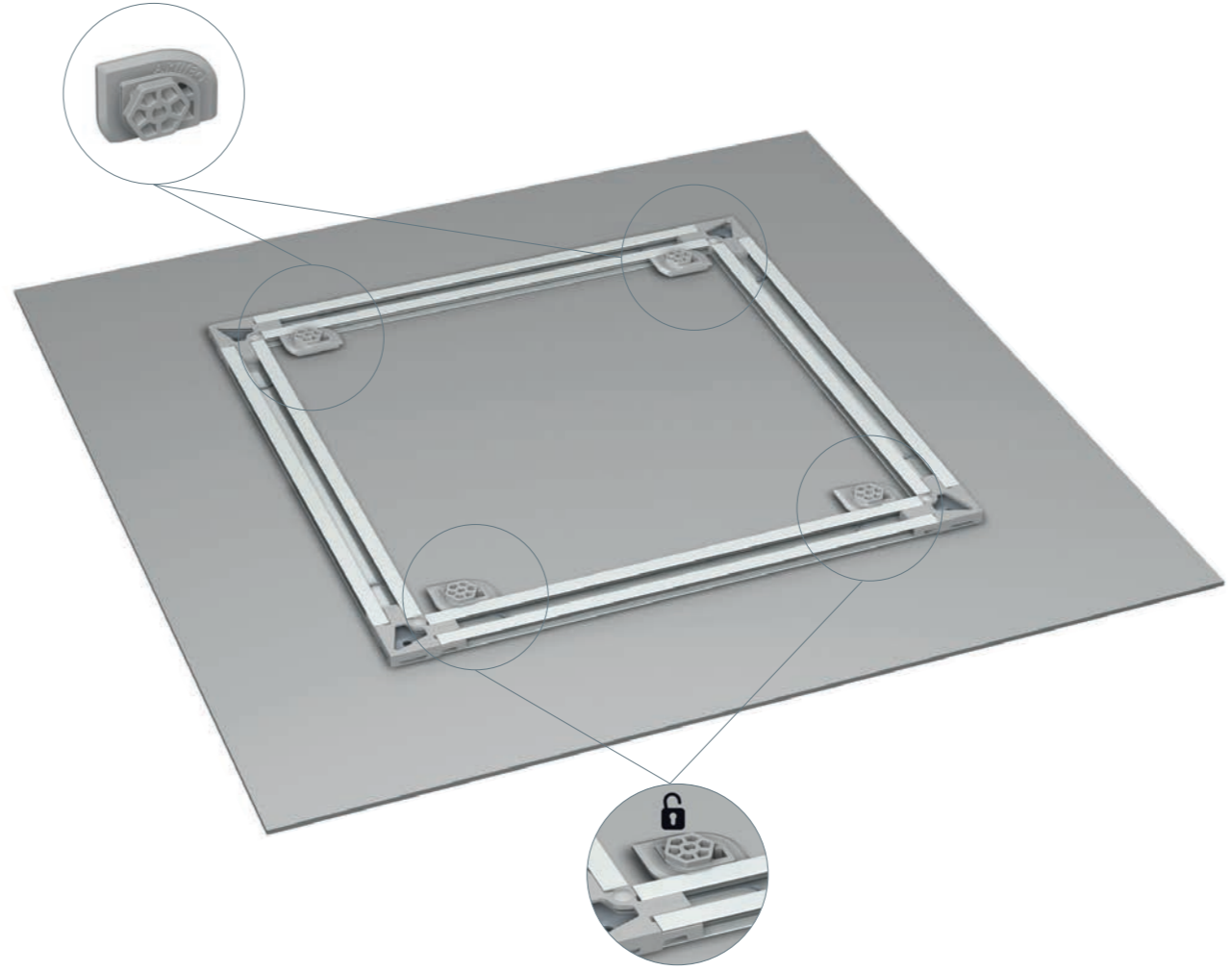


# 1 EASY HANGING 1 / FIXED



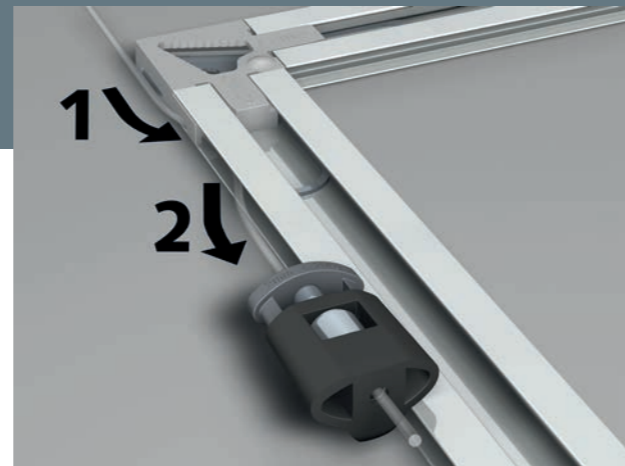
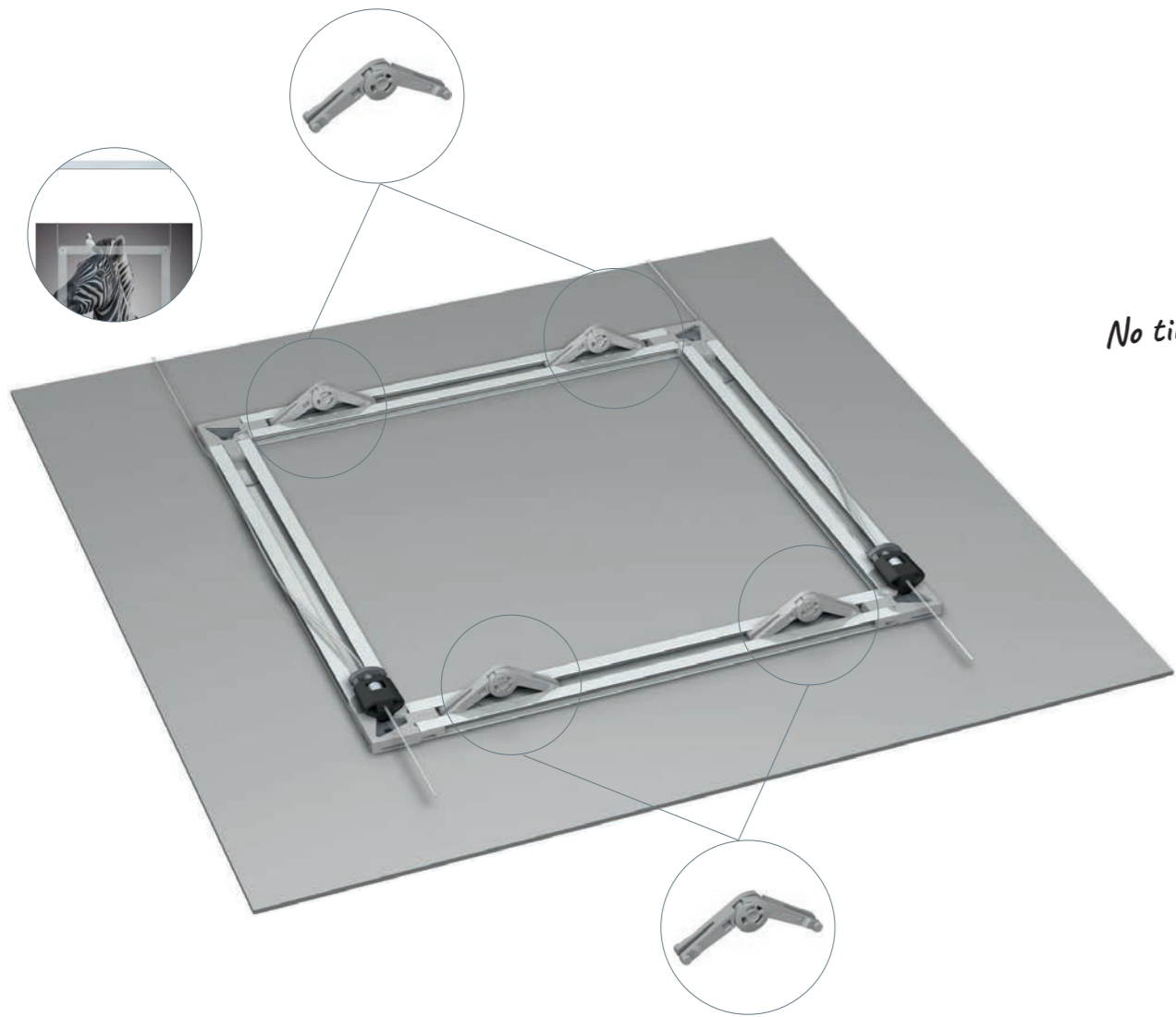
Power Corners come with an easy drilling tool, which indicates the precise positioning of the drill holes.

# 2 EASY HANGING 2 / SECURED

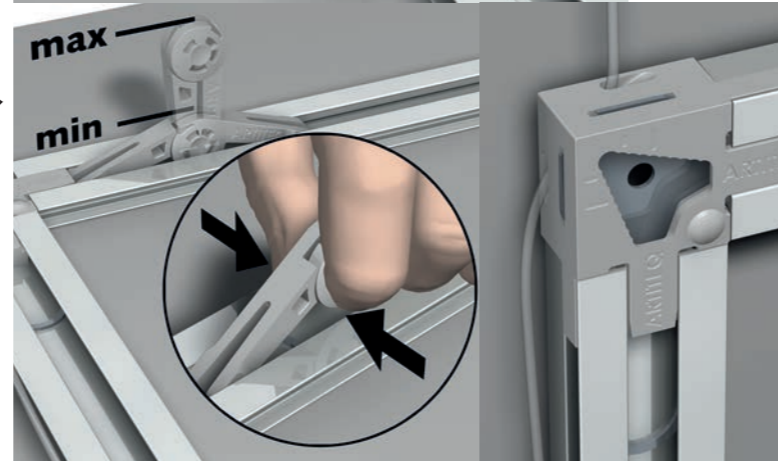


The panel can be fixed and secured to the wall using 4 Back Frame Security Clips. The frame hangs from the upper two Security Clips and the two lower Clips, once rotated using the Security Key, lock the frame into place.

# 3 EASY HANGING 3 / FLEXIBLE



No tilting



Back Frame Flex Bumpers

Back Frame Rail 15 mm

Combining the Back Frame Hanging System with a picture hanging system means flexibility and ease-of-use whilst adding decoration to walls. The hanging wire is inserted into the Power Corner and picture hooks are placed in the lower Power Corners to minimise tilting. To eliminate tilting altogether, we recommend using the Back Frame Flex Bumpers that will add more or less depth and stabilise the frame against the wall.



## WHY USE A PICTURE HANGING SYSTEM?

- Flexible wall decoration (always)
- Ease of use (hanging with no drilling)
- Sustainable building management (preserve walls)
- Once-only investment & assembly

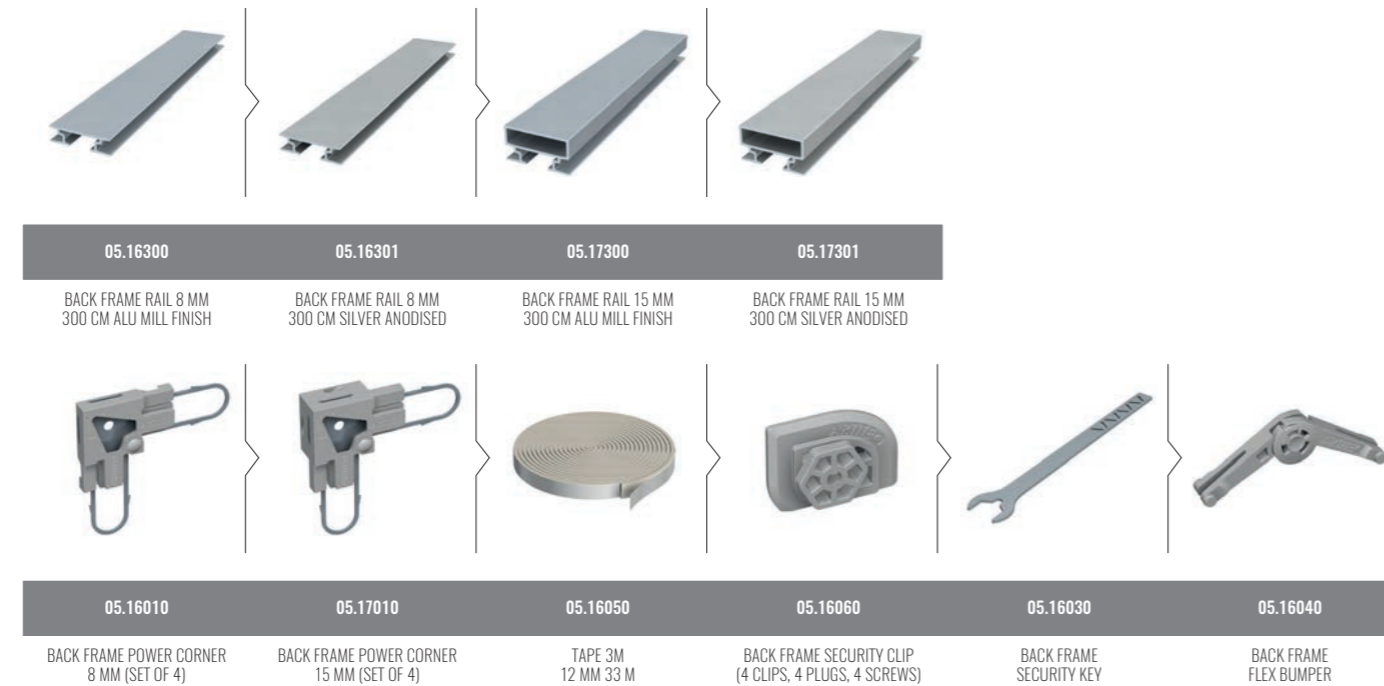


## ► ARTITEQ BACK FRAME HANGING SYSTEM



The Back Frame Hanging System is available in 8-mm and 15-mm profiles, in either an alu mill or silver anodised finish.

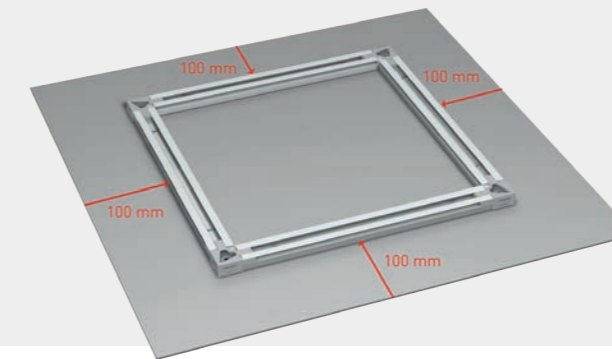
### BACK FRAME HANGING SYSTEM



## ► ARTITEQ BACK FRAME HANGING SYSTEM

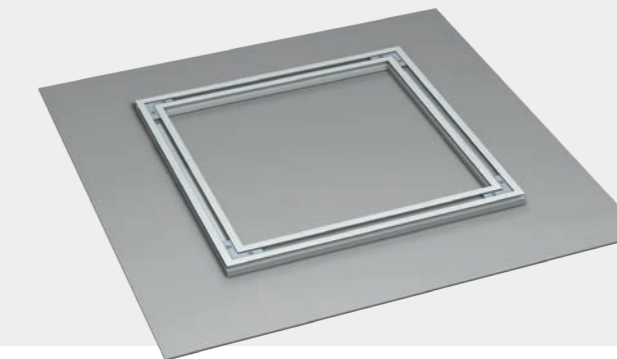
### A

For the correct sizing and positioning of the Back Frame Hanging System, we recommend placing the profiles at 100 mm from each side of the printed panel. When glueing the profiles to the back of the printed panels, we recommend using 3M tape (article number 05.16050).



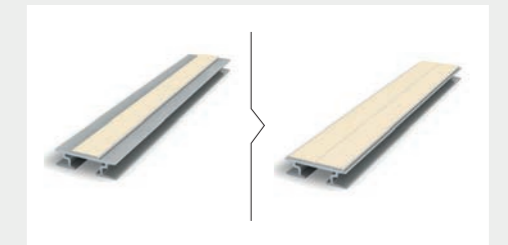
### B

The 8-mm and 15-mm profiles for the Back Frame Hanging System can also be mitre-cut. The profiles will fit with a wide range of accessories available on the market.



### C

We recommend using 3M tape (general advice 3M: 25 cm<sup>2</sup>/kg) for printed panels made of aluminium, hard-foam, forex, acrylic and glass. The information in the table below applies when Back Frame Hanging System profiles are applied at a maximum of 100 mm from each side of the printed panel (see A). The information in the table applies to panels with a maximum total weight of 30 kg and a minimum size of 400 x 400 mm.



Material	Thickness	Tape required	For surface:
Dibond	3-6 mm	Single tape 12 mm	Up to 4 m <sup>2</sup>
Forex	3-5 mm	Single tape 12 mm	Up to 4 m <sup>2</sup>
Acryl	3-5 mm	Single tape 12 mm	Up to 4 m <sup>2</sup>
Glass	6 mm	Double tape 24 mm	Up to 2 m <sup>2</sup>

ARTITEQ  
HERASTRAAT 39  
5047 TX TILBURG  
THE NETHERLANDS  
T +31 (0)13 572 90 70  
F +31 (0)13 572 90 75  
INFO@ARTITEQ.COM  
WWW.ARTITEQ.COM

26886

