



# PRODUCT CATALOGUE

2024

# EN

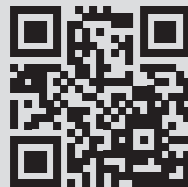


# ▶ ABOUT ARTITEQ

Based in Tilburg (NL), Artiteq is a specialist in hanging concepts, and has been developing flexible hanging systems for pictures and other wall decorations since 1995. Since decorating walls involves more than just hanging pictures, Artiteq combines this philosophy with its product specialism and has developed an extensive range of products in recent years. In addition to the picture hanging systems, Artiteq also markets display systems, solo hanging systems and sign hanging systems. Thanks in part to in-house expertise, and combined with its own product development and quality control departments, Artiteq also offers successful customised solutions for a variety of hanging needs. Flexibility and a continuous drive to keep innovating are Artiteq's strengths. In designing and producing our hanging systems, we aim to offer the best quality, whilst always placing a high priority on the environment and sustainability. Artiteq hanging systems are sold worldwide in over 60 countries.



Meet our company



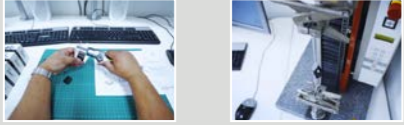
WWW.ARTITEQ.COM

Artiteq has its own Research & Development department and generally develops all products with a Safety Factor of 3. In terms of products with higher safety risks (f.e. products which hang in open spaces not against walls) or when specific materials are used, this safety factor can even be 5 or higher. The Quality Control department checks safety in relation to the weight that can be hung from the products, but also checks the appearance and functionality of the products. In terms of the Micro Grip hook, Artiteq applies the quality assurance of TÜV, a certification that is extended to more Artiteq products. Based on the foregoing, Artiteq provides a 10-year\* guarantee on all of its products (with the exception of Combi Rail Pro Light: a 2-year guarantee applies to electrical components).

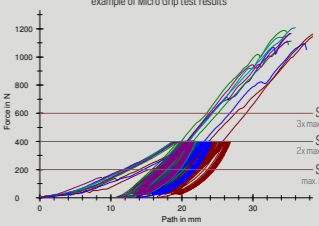
## PRODUCT WARRANTY

▶ SAFETY

Artiteq has its own Research & Development department and generally develops all products with a Safety Factor of 3. In terms of products with higher safety risks (f.e. products which hang in open spaces not against walls) or when specific materials are used, this safety factor can even be 5 or higher.



example of Micro Grip test results



▶ QUALITY CONTROL

Artiteq has its own Quality Control department. Not only does this department check safety in relation to the weight that can be hung from the products, but also checks the appearance and functionality of the products.

▶ TÜV

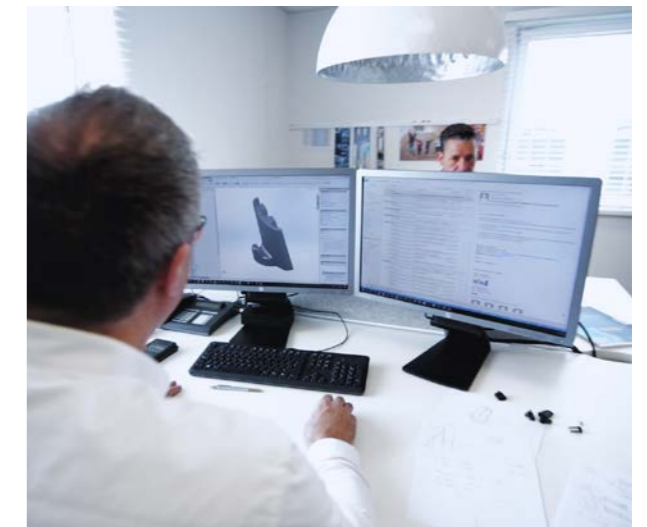
Artiteq delivers high quality products. To ensure and guarantee the quality of our products, Artiteq applies the quality assurance of TÜV on all its products. In addition, all our hanging rails, hanging wires and hooks are TÜV certified.

▶ GUARANTEE

Based on the foregoing, Artiteq provides a 10-year\* guarantee on all of its products. \*with the exception of Combi Rail Pro Light and Display It LED (a 2-year guarantee applies to electrical components).

In terms of the Combi Rail Pro Light picture hanging system (a product with electrical components), Artiteq declares that this product fulfils the applicable guidelines in accordance with standards EN 60598-1 / EN 60598-2-1 / EN 60570 / EN 55015 and EN 61547. No CE standardisation exists for all other Artiteq products. The Artiteq integrated picture hanging systems do not form part of a building's construction. It is important to emphasise that the systems are not intended to carry the construction of ceilings. The profiles are designed solely for hanging products (i.e. wall decorations, such as paintings, photo frames, etc.). The profiles may not be used for (are not designed for) absorbing additional forces.

▶ CE



✓ MARKETING & SALES

✓ IN-HOUSE RESEARCH & DEVELOPMENT

✓ IN-HOUSE QUALITY CONTROL

# PRODUCT CATEGORIES

## PICTURE HANGING SYSTEMS

<a href="#">WALL SYSTEMS</a>	06
<a href="#">CEILING SYSTEMS</a>	20
<a href="#">INTEGRATED SYSTEMS</a>	26
<a href="#">SOLO SYSTEMS</a>	42
<a href="#">ALL-IN-ONE KITS</a>	54
<a href="#">HANGING WIRES AND HOOKS</a>	62
<a href="#">FRAME ACCESSORIES</a>	78

## DISPLAY HANGING SYSTEMS

<a href="#">CABLE HANGING SYSTEMS</a>	86
<a href="#">RAIL HANGING SYSTEMS</a>	98
<a href="#">MISCELLANEOUS</a>	112

## SIGN HANGING SYSTEMS

<a href="#">SALES SUPPORT</a>	136
-------------------------------	-----





## ▶ PICTURE HANGING SYSTEMS

### WALL

- WALL MOUNTING
- RAIL CAN BE REPAINTED
- PRESERVATION OF WALLS
- USER-FRIENDLY
- HANG AND MOVE WALL DECORATIONS QUICKLY AND EASY

FLEXIBLE  
SAFE  
STRONG





# CLICK RAIL



**30**  
KG/M

**10**  
YEAR  
WARRANTY

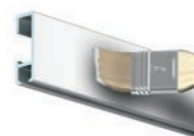
CLICK

CONNECT

3 CLIPS / M

The Click Rail is a flexible picture hanging system that you mount to the wall. Using the Click&Connect system, mounting the rail system is fast and easy. The Click Rail may be installed flush against the ceiling and may also be repainted, for example in the same colour as the wall or ceiling. This helps the picture hanging system 'blend in' with the wall or ceiling, making it nearly invisible. The hanging rail's appearance makes it easy to integrate in any room or interior. You always have flexibility in hanging posters, pictures or photo frames thanks to the hanging wires with hooks that you can click into any desired location on the rail system.

## RAIL



CLICK RAIL - WHITE RAL 9010

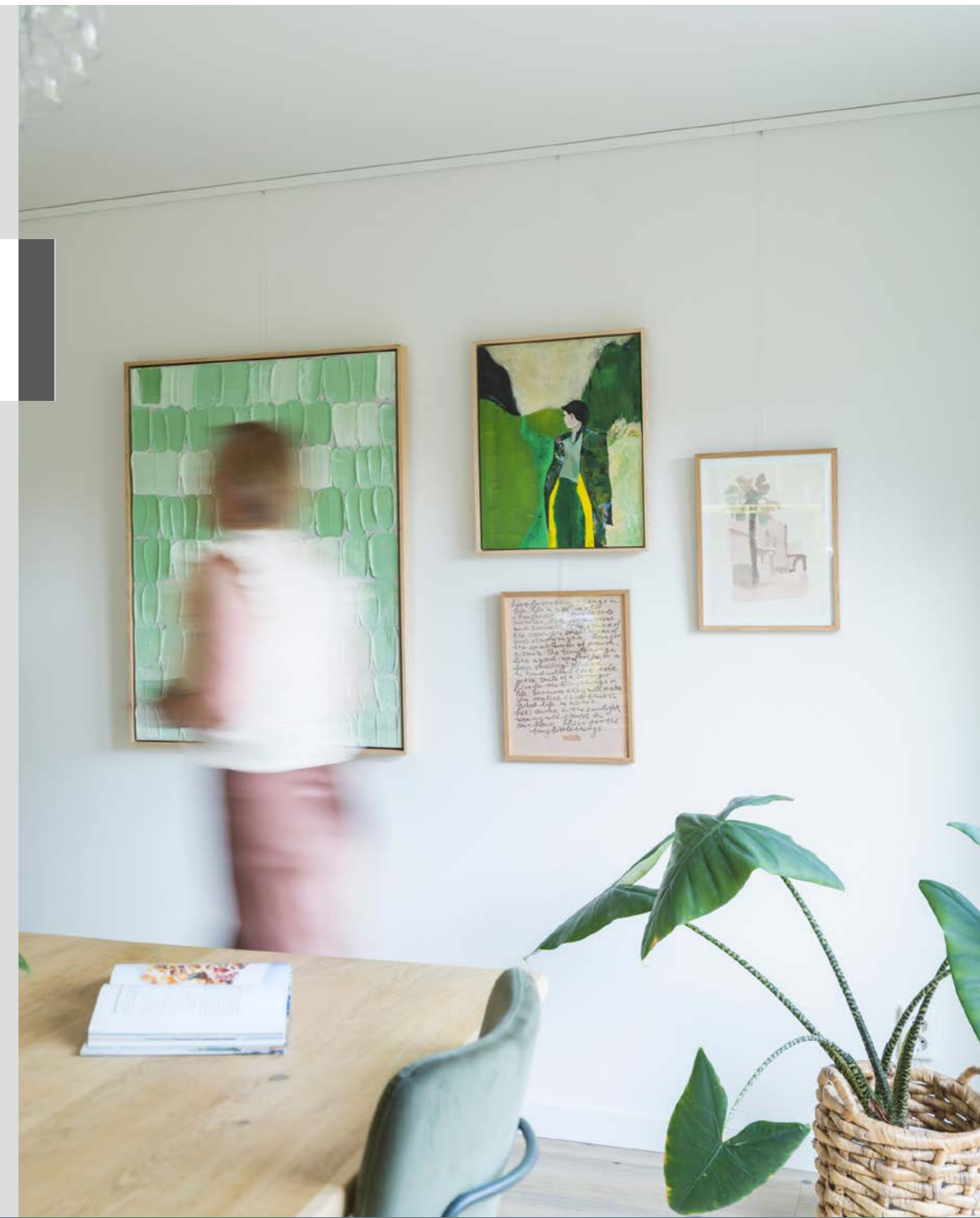
CLICK RAIL - WHITE PRIMER RAL 9016

CLICK RAIL - ALU BRUSHED

CLICK RAIL - BLACK STRUCTURE

	CLICK RAIL - WHITE RAL 9010		CLICK RAIL - WHITE PRIMER RAL 9016		CLICK RAIL - ALU BRUSHED		CLICK RAIL - BLACK STRUCTURE	
	P/1*	P/20*	P/1*	P/20*	P/1*	P/20*	P/1*	P/20*
ARTICLE NO. 150 cm				9.4360				
ARTICLE NO. 200 cm	9.4303	9.4353	9.4348	9.4350	9.4341	9.4340		05.01210
ARTICLE NO. 300 cm	9.4304	9.4354	9.4349	9.4351	9.4343	9.4342		05.01310
ARTICLE NO. 600 cm	9.4372		9.4346					
	FASTENER KIT WHITE		FASTENER KIT WHITE		FASTENER KIT GREY		FASTENER KIT BLACK	
ARTICLE NO. 200 cm	4065		4065		4064		5094	
ARTICLE NO. 300 cm	4061		4061		4060		5095	

FLEXIBLE  
STRONG  
RELIABLE



installation video

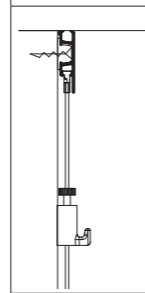
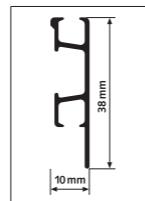
## CONTENT FASTENER KIT



		QUANTITY 200 cm	QUANTITY 300 cm
9.4113	CLICK&CONNECT	6x	9x
9.4929	SCREW	6x	9x
9.4931	PLUG	6x	9x
9.4105 (WHITE) / 9.4104 (GREY) / 9.4112 (BLACK)	END CAP	2x	2x
9.4107 (WHITE) / 9.4108 (GREY) / 9.4114 (BLACK)	CORNER CONNECTOR	1x	1x
2386	INSTRUCTION	1x	1x

ALL MOUNTING MATERIAL MAY BE ORDERED SEPARATELY. SEE OVERVIEW ON PAGE 40  
\* P/1: PACKAGED BY THE PIECE IN FOIL / P/20: PACKAGED PER 20 IN FOIL

# CLICK RAIL PRO



**50**  
KG/M

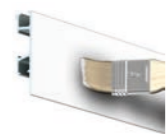
**10**  
YEAR  
WARRANTY



3 CLIPS / M

The Click Rail Pro hanging system is the professional, heavy-duty version of the Click Rail. The rail is quick and easy to instal thanks to the Click&Connect clips, and can be mounted on the wall, flush against the ceiling. It is possible to mount the rail in such a way that the sliders for the hanging wire may be subtly hidden behind the rail. The Click Rail Pro picture hanging system has a maximum load capacity of 50 kg/m. Hanging heavy pictures and wall decorations is no problem with the Click Rail Pro. Click Rail Pro is a strong picture hanging system that you can trust when it comes to hanging your art on the wall. The hanging wires may be moved and clicked into the rail again at any desired location. This assures you of flexibility in what you display on your walls. Moving or replacing a work of art is fast and easy, and there's no risk of damaging the walls.

## RAIL



CLICK RAIL PRO - WHITE PRIMER  
RAL 9016



CLICK RAIL PRO - ALU BRUSHED

ARTICLE NO.	200 cm	300 cm
CLICK RAIL PRO - WHITE PRIMER RAL 9016	05.05420	05.05320
CLICK RAIL PRO - ALU BRUSHED	05.05430	05.05330
FASTENER KIT WHITE		FASTENER KIT GREY
ARTICLE NO.	200 cm	300 cm
FASTENER KIT WHITE	4067	4066
FASTENER KIT GREY	4074	4073

# CLICK RAIL PRO



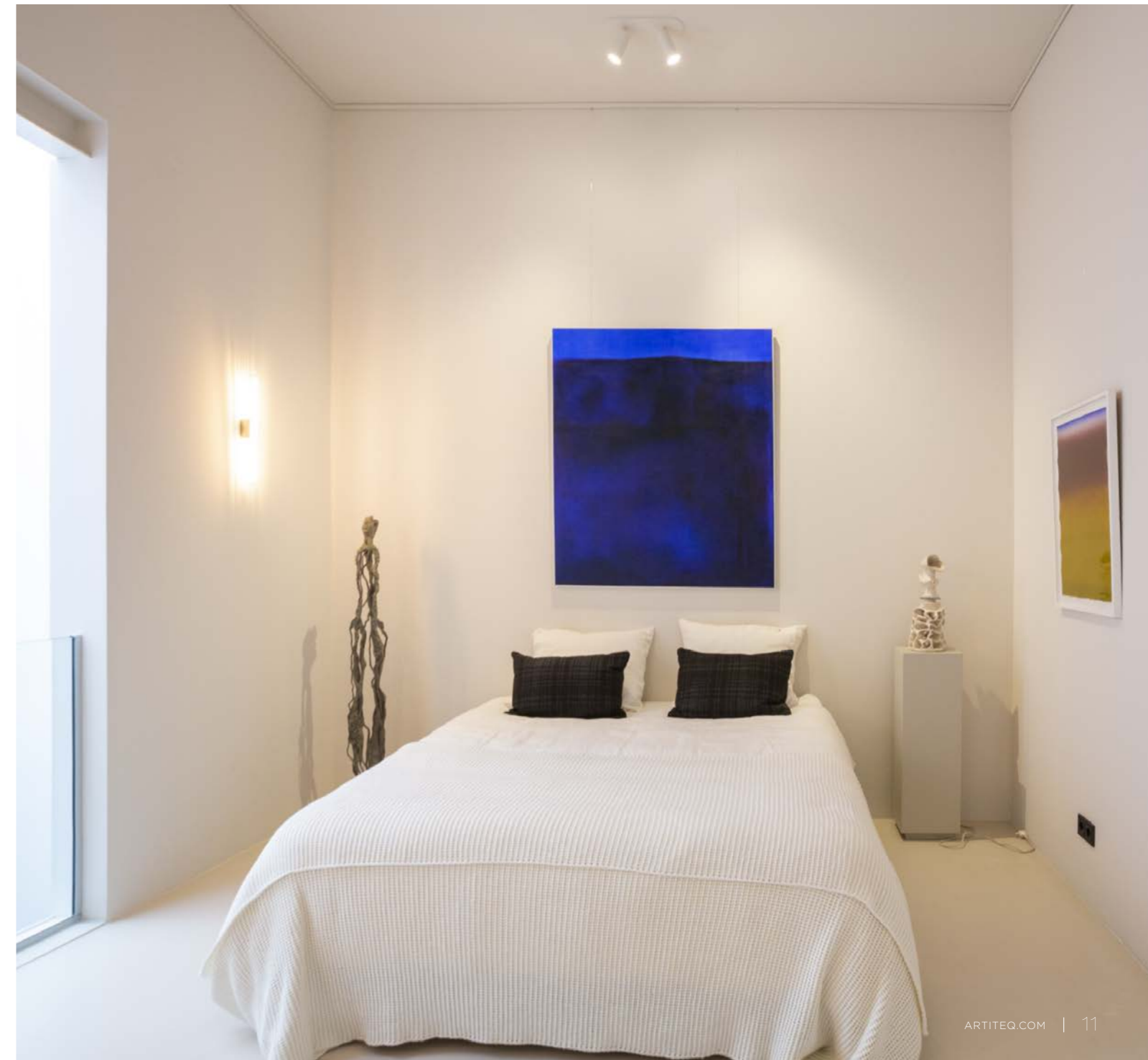
installation  
video

## CONTENT FASTENER KIT



		QUANTITY 200 cm	QUANTITY 300 cm
9.4124	CLICK&CONNECT	6x	9x
9.4929	SCREW	6x	9x
9.4931	PLUG	6x	9x
9.4120 (WHITE) / 9.4121 (GREY)	END CAP	2x	2x
9.4122 (WHITE) / 9.4123 (GREY)	CORNER CONNECTOR	1x	1x
2387	INSTRUCTION	1x	1x

ALL MOUNTING MATERIAL MAY BE ORDERED SEPERATELY. SEE OVERVIEW ON PAGE 40





# CONTOUR RAIL



**20**  
KG/M

**10**  
YEAR  
WARRANTY

3 CLIPS / M

### Compact and attractive hanging system

"Less rail, more art". Contour Rail gets the job done in spite of its minimal dimensions, and has an attractive, sleek design. Hanging pictures, or hanging and moving framed photos is easy thanks to the Contour Rail. Using the clips, the picture rails may be mounted to the wall (minimum distance from the ceiling: 15 mm). In addition to the aluminium version of the rail, the available model in white may be painted in any colour. The refined style of the 1 mm Twister hanging wires with Micro Grip 1 mm suspension hook make them a perfect match for the compact shape of this hanging system.

### RAIL



CONTOUR RAIL - WHITE PRIMER RAL 9016		END CAP
200 cm P/1*	300 cm P/1*	WHITE
ARTICLE NO.	30.11201	30.11301
		30.31210
FASTENER KIT WHITE		
ARTICLE NO.	30.31310	30.31330



installation video

### CONTENT FASTENER KIT

			QUANTITY 200 cm	QUANTITY 300 cm
	30.31110	CLICK&CONNECT	6x	9x
	9.4929	SCREW	6x	9x
	9.4931	PLUG	6x	9x
	30.31210 (WHITE)	END CAP	2x	2x
	2388	INSTRUCTION	1x	1x

ALL MOUNTING MATERIAL MAY BE ORDERED SEPARATELY. SEE OVERVIEW ON PAGE 40  
\* P/1: PACKAGED BY THE PIECE IN FOIL

# CONTOUR RAIL GLUED



**10**  
KG/M

**10**  
YEAR  
WARRANTY

1mm  
Ø2 à 3mm  
PARABOND 600

### Contour Rail glued - hanging without drilling

Looking for a compact hanging rail that 'disappears' in a room? Contour Rail offers the solution: the rail can also be mounted to the ceiling using glue. Thanks to the special design, the glue may be applied in and on the profile in the desired manner. When the Contour Rail is glued and painted in the same colour as the wall, it becomes inconspicuous while still offering all the advantages of a flexible hanging system: the ability to hang and move pictures without damaging the walls.

### RAIL



CONTOUR RAIL - WHITE PRIMER RAL 9016		END CAP
200 cm P/1*	300 cm P/1*	WHITE
ARTICLE NO.	30.11201	30.11301
		30.31210

### FASTENER MATERIAL



CONTOUR RAIL GLUE SET (FOR FIXATION OF 4,5-5M)	
3M SURFACE CLEANERS & GLUE PARABOND 600 WHITE 290 ML	
ARTICLE NO.	30.31180

\* P/1: PACKAGED BY THE PIECE IN FOIL

# COMBI RAIL PRO LIGHT

AVAILABLE UNTIL MID 2024!



**50**  
KG/M

**2**  
YEAR WARRANTY

CONNECT

3 CLIPS / M



## RAIL / PARTS

COMBI RAIL PRO LIGHT RAL 9010 (INCLUDES FASTENERS AND END CAPS)	COMBI RAIL PRO LIGHT CONNECTOR SET (BOTH STRAIGHT AND CORNER CONNECTOR)	CONNECTION BLOCK	TRAFD LED 220/12 INCLUDES CONNECTION BLOCK
			<b>100 W</b>
ARTICLE NO. 200 cm	40.11200	40.31300	40.31500 40.32100
ARTICLE NO. 300 cm	40.11300	40.31300	40.31500 40.32100

## LAMPS

FITTING			MASTER LED PHILIPS LV 3000K WARM WHITE
20 cm	50 cm	70 cm	6,7 W / 440 lumen 7,5 W / 500 lumen
ARTICLE NO.	40.21200	40.21500	40.21700 40.41306 40.41308



FLEXIBLE  
SAFE  
HIGH END



### Flexible picture hanging and lighting system in one

Combi Rail Pro Light combines picture hanging and lighting in one system. The rail's attractive, neutral design enables it to be integrated in almost every style of interior. Use the adjustable fittings to provide optimum and high-quality lighting for pictures and other wall decorations on your wall. You can position the Twister suspension wires anywhere along the rail, making it easy to change and move artwork and pictures. This flexible and user-friendly picture hanging system guarantees that the walls in your room will stay undamaged.

### Easy installation in three steps

In 3 quick steps you can fit the rail and connect the power supply without requiring special tools and techniques. Step 1 comprises fitting the clips (Click&Connect) to the wall and clicking the rail to the clips. The rail immediately fits firmly in place after which you can carry out Step 2; connecting the power supply. Step 3 involves installing the picture lighting fittings: with just one quarter turn you can position these where you want on the rail. The fittings are suitable for LED lamps, available in lengths of 20 cm, 50 cm and 70 cm. You can adjust the high-temperature resistant luminaire cover, manufactured from high-quality plastic, to direct the lighting onto your picture. The conductive and hanging functions for the hanging rail with picture lighting are separated. All Combi Rail Pro Light components are approved by reputable, independent certification authorities.



# CLASSIC RAIL



20  
KG/M

10  
YEAR  
WARRANTY

4 SCREWS/ M

## Change pictures quickly and easily with Classic Rail

The Classic Rail is a wall rail that is often used in galleries and at exhibitions. This hanging system has an open J-shape which, with the aid of rods and sliding springs, makes it easy to hang pictures and other wall decorations. If you are looking for a discreet alternative to a rod, it is possible to use a cylinder hook with a transparent perlon cord in the rail. Depending on the weight of the picture or wall decoration, various hooks may be slid onto the perlon hanging wire.

## A hanging rail for a contemporary interior

The Classic Rail is a J-shaped, open rail system with a modern look. This picture hanging system is available in white or aluminium. The rods that may be placed in the rail vary in thickness from 2 to 3 mm, and have a maximum load capacity of 20 kg. Available in white or steel, the rods use various sliding springs.

## RAIL

	CLASSIC RAIL - WHITE RAL 9010		CLASSIC RAIL - WHITE PRIMER RAL 9016		CLASSIC RAIL - ALU	
	P/1*	P/20*	P/1*	P/20*	P/1*	P/20*
ARTICLE NO. 200 cm	9.4307	9.4357	-	9.4390	9.4305	-
ARTICLE NO. 300 cm	9.4308	9.4358	-	9.4391	9.4306	-
	FASTENER KIT WHITE		FASTENER KIT WHITE		FASTENER KIT GREY	
ARTICLE NO. 200 cm	4072		4072		4071	
ARTICLE NO. 300 cm	4079		4079		4078	



installation video

## CONTENT FASTENER KIT

			QUANTITY 200 cm	QUANTITY 300 cm
	9.4901 (WHITE) / 9.4902 (GREY)	SCREW	8x	12x
	9.4931	PLUG	8x	12x
	2389	INSTRUCTION	1x	1x

ALL MOUNTING MATERIAL MAY BE ORDERED SEPARATELY. SEE OVERVIEW ON PAGE 40  
\* P/1: PACKAGED BY THE PIECE IN FOIL / P/20 PACKAGED PER 20 IN FOIL

## RODS

	ROD WHITE STEEL U-TOP 2 mm MAX. 20 kg	ROD WHITE STEEL U-TOP 3 mm MAX. 20 kg	ROD STEEL U-TOP 3 mm MAX. 20 kg
ARTICLE NO. 100 cm	9.4216*	9.4161	9.4151
ARTICLE NO. 150 cm	-	9.4162	9.4152
ARTICLE NO. 200 cm	9.4217*	9.4163	9.4153
ARTICLE NO. 300 cm	-	9.4165	9.4155

\*COMPATIBLE WITH HOOKS 9.4207, 9.4261, 3041200/50 - SEE PAGE 66

## SLIDING SPRINGS

SLIDING SPRING STAINLESS STEEL 3 mm MAX. 20 kg
9.4170

## CYLINDER HOOKS

CYLINDER HOOK WHITE MAX. 15 kg	CYLINDER HOOK ALU MAX. 15 kg
9.4237	9.4244

\* FOR USE WITH HANGING WIRE SLIDER ECONOMY

## WIRES

SLIDER ECONOMY 2 mm MAX. 15 kg	
ARTICLE NO. 100 cm	9.4424
ARTICLE NO. 150 cm	9.4425
ARTICLE NO. 200 cm	9.4426
ARTICLE NO. 250 cm	9.4427
ARTICLE NO. 300 cm	9.4428



MICRO GRIP 2 mm  
30.41200 | 20 kg



MICRO GRIP LOCK 2 mm  
30.41250 | 20 kg

FOR MORE PICTURE HOOKS SEE PAGE 68

# CLASSIC RAIL+



**40**  
KG/M

**10**  
YEAR  
WARRANTY

4 SCREWS/ M

The Classic Rail+ is a picture hanging system for walls that has been specially developed for hanging heavier pictures and wall decorations (up to 40 kg). This hanging system is often used in galleries, at exhibitions and in museums. The hanging rail has an open, J-shaped design that makes it possible to hang a variety of rods equipped with rod hooks. This makes it extremely easy to hang or change art on the wall. The Classic Rail+ is available in white and aluminium. A variety of aluminium or steel rods may be used for decorations weighing up to a maximum of 40 kg.

### Secure picture hanging system

The Classic Rail+ makes it possible to hang pictures and wall decorations in a secure manner in rooms where this is required. Thanks to a blocking device, the rod is blocked in the rail and the picture enjoys extra protection when special anti-theft hooks are used on the rod itself.

RAIL		
CLASSIC RAIL+ - WHITE RAL 9010	CLASSIC RAIL+ - ALU ANODISED	
<b>P/1*</b>	<b>P/1*</b>	
ARTICLE NO. 200 cm	9.4318	9.4320
ARTICLE NO. 300 cm	9.4319	9.4321
<b>FASTENER KIT WHITE</b>	<b>FASTENER KIT GREY</b>	
ARTICLE NO. 200 cm	4072	4071
ARTICLE NO. 300 cm	4079	4078



### CONTENT FASTENER KIT

			QUANTITY 200 cm	QUANTITY 300 cm
	9.4901 (WHITE) /9.4902 (GREY)	SCREW	8x	12x
	9.4931	PLUG	8x	12x
	2389	INSTRUCTION	1x	1x

ALL MOUNTING MATERIAL MAY BE ORDERED SEPERATELY. SEE OVERVIEW ON PAGE 40  
\* P/1: PACKAGED BY THE PIECE IN FOIL

### RODS 4 x 4 mm ALUMINIUM

	ROD ALUMINIUM S-BEND WIT	ROD ALUMINIUM S-BEND ALU
	<b>MAX. 20 KG</b>	<b>MAX. 20 KG</b>
ARTICLE NO. 100 cm	9.4277	9.4271
ARTICLE NO. 150 cm	9.4278	9.4272
ARTICLE NO. 200 cm	9.4279	9.4273
ARTICLE NO. 250 cm	9.4280	9.4274

### ROD 4 x 4 mm STEEL

	ROD U-TOP STEEL WHITE
	<b>MAX. 40 KG</b>
ARTICLE NO. 100 cm	9.4220
ARTICLE NO. 150 cm	9.4221

### HOOKS

	CLAMPING HOOK 20 kg
	<b>4 X 4 mm</b>
ARTICLE NO.	9.4253

COMPATIBLE ONLY WITH 4 X 4 mm ALUMINIUM RODS

### HOOKS

	CLAMPING HOOK 40 kg
	<b>4 x 4 mm</b>
ARTICLE NO.	9.4297

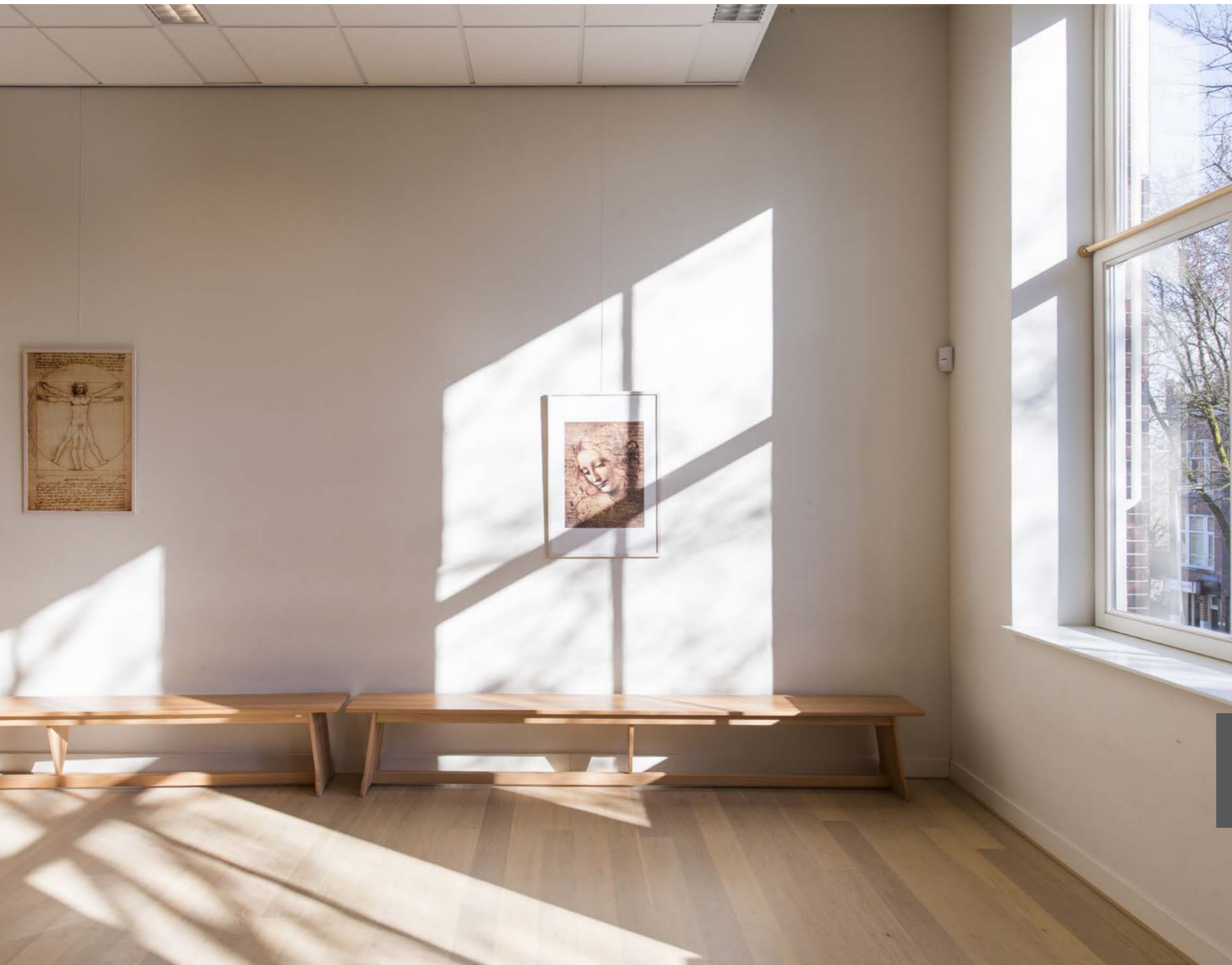
COMPATIBLE ONLY WITH 4 X 4 mm STEEL RODS

### ANTI-THEFT DEVICES\*

	BLOCKING DEVICE WHITE	CLAMPING HOOK STEEL ANTI-THEFT 40 kg	BLOCKING SLEEVE
	4 x 4 mm	4 x 4 mm	6 x 12 x 8 mm
ARTICLE NO.	9.4290	9.4291	9.4293
	<b>ALLEN KEY</b>	<b>ALLEN KEY</b>	
	2,5 mm	2,0 mm	
ARTICLE NO.	9.3390	9.3394	

\*ONLY FOR USE WITH ROD U-TOP STEEL WHITE 9.4220/9.4221/9.4222





- MOUNTING NEXT TO RECESSED CEILING OR CEILING
- RAIL DISAPPEARS IN CEILING
- PRESERVATION OF WALLS
- USER-FRIENDLY
- HANG AND MOVE WALL DECORATIONS QUICKLY AND EASY

## CEILING

COMPACT  
DESIGN  
HIGH END

## ▶ PICTURE HANGING SYSTEMS



# UP RAIL



**20**  
KG/M

**10**  
YEAR  
WARRANTY



3 CLIPS / M

The Up Rail is the leading ceiling rail par excellence; the rail is especially suitable when used in combination with concrete. The picture hanging system is clicked into place using clips (3 clips each metre) which are attached to the ceiling. The beautiful rounded shape of the rail fills the space between the wall and ceiling, therefore the picture hanging system is discrete and unobtrusive. The maximum bearing capacity of 20 kg/m makes the Up Rail a solid and reliable hanging system. The rail has a white, primed finish: the hanging rail can be painted in any preferred colour (for example, in the colour of the wall or ceiling). The Twister hanging wires can be clicked anywhere along the rail. If a ceiling mounting is required, for example if the walls may not be damaged or because it is not possible to attach a rail to the walls, the Up Rail is the ideal solution for flexible adornment of the walls.

## RAIL



	UP RAIL - WHITE PRIMER RAL 9016	FASTENER KIT WHITE	UP RAIL - BLACK STRUCTURE	FASTENER KIT BLACK
ARTICLE NO. 200 cm	05.06200	4098	05.06210	5096
ARTICLE NO. 300 cm	05.06300	4099		



installation video

## CONTENT FASTENER KIT

			QUANTITY 200 cm	QUANTITY 300 cm
	05.06010	CLICK&CONNECT	6x	9x
	9.4929	SCREW	6x	9x
	9.4931	PLUG	6x	9x
	05.06020 (WHITE) / 05.06030 (BLACK)	SET END CAPS L&R	2x	2x
	2563	INSTRUCTION	1x	1x

ALL MOUNTING MATERIALS MAY BE ORDERED SEPERATELY, SEE PAGE 40



Credits: @ohmarieag / dhmane.nl



# TOP RAIL



**20**  
KG/M

**10**  
YEAR  
WARRANTY

8 SCREWS / M

The flexible picture hanging system Top Rail is mounted to the ceiling. This ceiling rail that is discreet in its dimensions is an ideal hanging system to use in combination with recessed ceilings. By mounting the ceiling rail to the wooden side strip of a recessed ceiling, the rail 'disappears' into the ceiling. This 'invisible' picture hanging system then offers a flexible way to hang, change and replace pictures and wall decorations throughout the entire room.



## RAIL



TOP RAIL - WHITE RAL 9003

TOP RAIL - ALU ANODISED

TOP RAIL - BLACK ANODISED

	TOP RAIL - WHITE RAL 9003		TOP RAIL - ALU ANODISED	TOP RAIL - BLACK ANODISED	
	P/1*	P/10*	P/10*	P/1*	P/10*
ARTICLE NO. 200 cm	9.4309	9.4326	9.4313	9.4378	9.4323
ARTICLE NO. 300 cm	9.4310	9.4327	9.4314	9.4379	9.4324
ARTICLE NO. 600 cm	-	9.4362	-	-	9.4367
	FASTENER KIT WHITE		FASTENER KIT GREY	FASTENER KIT BLACK	
ARTICLE NO. 200 cm	4070		4069	4068	
ARTICLE NO. 300 cm	4077		4076	4075	



## CONTENT FASTENER KIT



			QUANTITY 200 cm	QUANTITY 300 cm
9.4912 (WHITE) / 9.4913 (ALU) / 9.4903 (BLACK)	SCREW		16x	24x
9.4900	PLUG 4 mm		16x	24x
2390	INSTRUCTION		1x	1x

ALL MOUNTING MATERIALS MAY BE ORDERED SEPARATELY. SEE PAGE 40 - 8 SCREWS /m  
\* P/1: PACKAGED BY THE PIECE IN FOIL / P/10 PACKAGED PER 10 IN FOIL



- FOR BUILDING AND RENOVATION PROJECTS
- RAIL IS INSTALLED WITH CEILING CONSTRUCTION
- HANGING WIRES HANG DIRECTLY FROM CEILING
- PRESERVATION OF WALLS
- USER-FRIENDLY
- HANG AND MOVE WALL DECORATIONS QUICKLY AND EASY

INTEGRATED

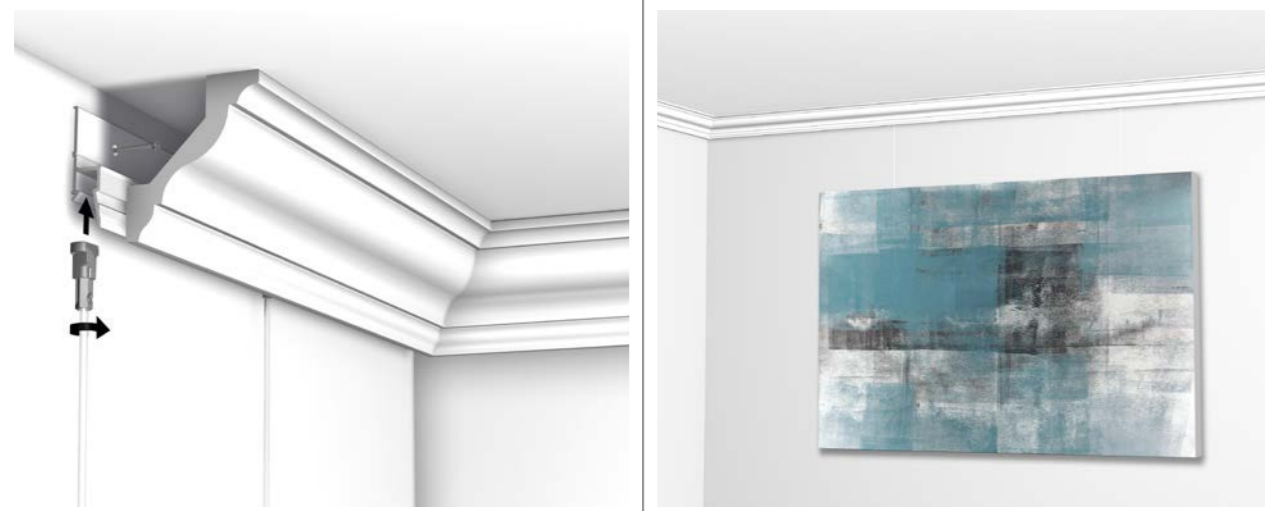
DISCRETE  
FLEXIBLE  
DESIGN

## ▶ PICTURE HANGING SYSTEMS



# DECO RAIL / DECO RAIL LED / ART STRIP

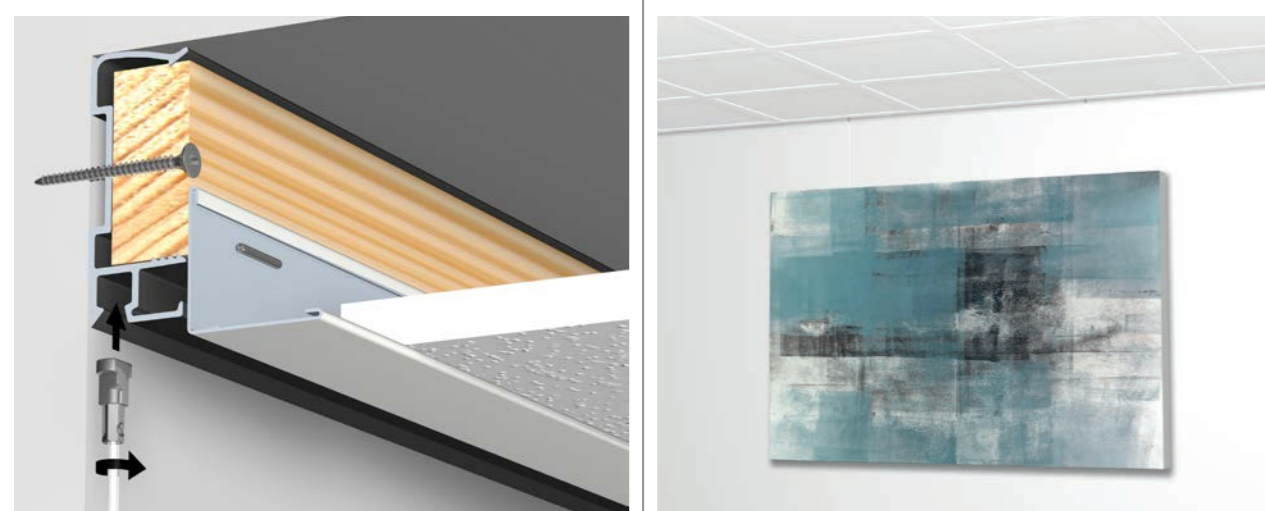
DECO RAIL (IN COMBINATION WITH CORNICE)



DECO RAIL LED (IN COMBINATION WITH LIGHTING PROFILE)



ART STRIP (IN COMBINATION WITH RECESSED CEILINGS)

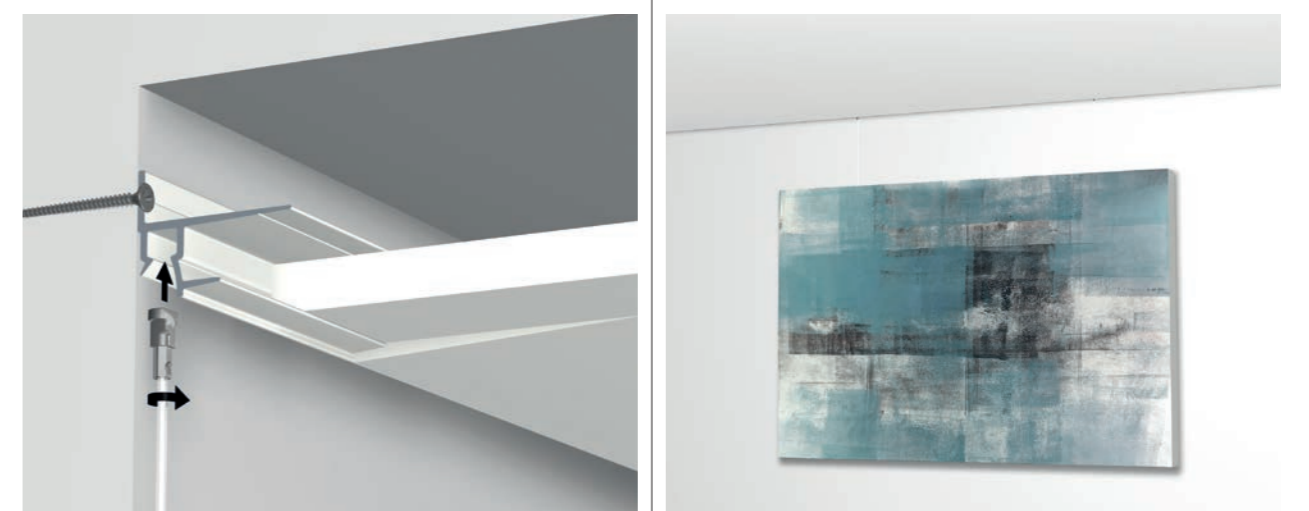


# SHADOWLINE

SHADOWLINE DRYWALL (IN COMBINATION WITH DRYWALL)

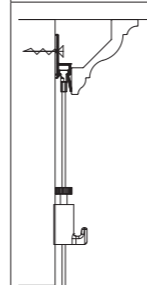
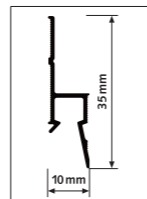


SHADOWLINE MASONRY (IN COMBINATION WITH BRICKWALL)





# DECO RAIL



**20**  
KG/M

**10**  
YEAR  
WARRANTY



4 SCREWS / M



installation  
video

### Flexible options for smooth walls with Deco Rail

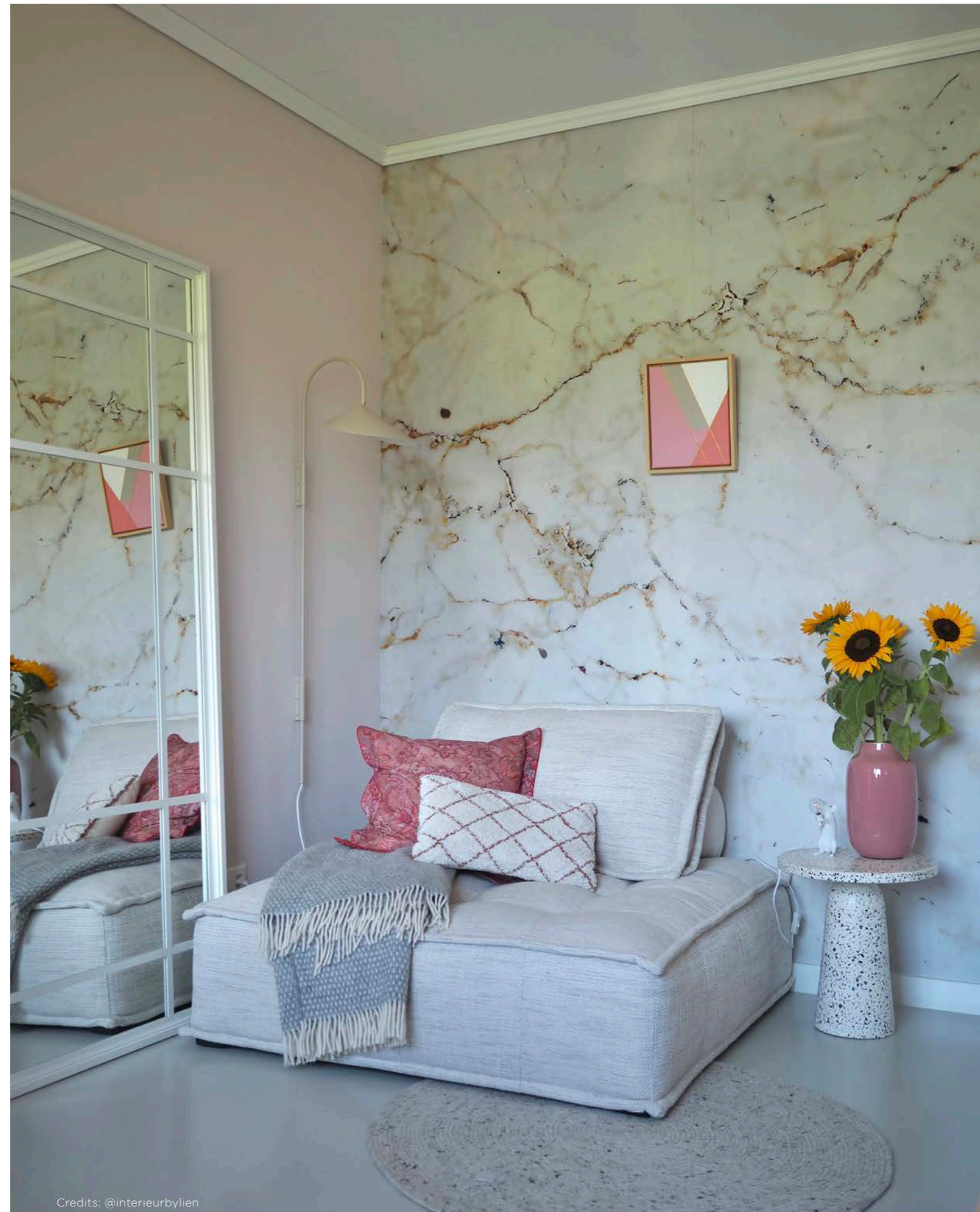
The Deco Rail is a hanging rail for pictures and wall decorations that is mounted behind a cornice. The hanging system becomes invisible as a result, while still offering all the advantages of a flexible hanging system. Walls with a clean, smooth finish remain undamaged, even though it is still possible to hang and move paintings continually. Hanging wires may be clicked into the rail behind the cornice at any desired location. This is the major benefit of the Deco Rail; flexibility and a guarantee for a high-quality finish. There are many different styles of cornice rails, and this hanging rail can be installed behind every type. The Deco Rail is available in combination with a selection of three different types of cornices: Basic, Modern and Classic.

### RAIL / CORNICE MOULDINGS

DECO RAIL - WHITE PRIMER RAL 9016	CX 110 BASIC	CX 126 MODERN	C 213 T CLASSIC	
ARTICLE NO. 200 cm	05.75100	05.75110	05.75126	05.75213
MOULDING DIMENSIONS		4 x 4,5 x 200 cm	9 x 9 x 200 cm	8 x 8 x 200 cm

### FASTENER MATERIAL

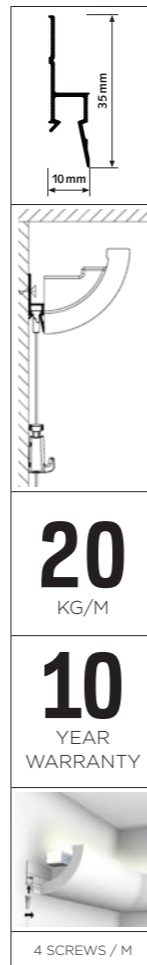
270 ml	310 ml (for 7-8 m)			
ULTRA FX400	FDP500 GLUE	PLUG FISCHER 5 X 30 R 5 mm	SCREW 3,5 x 45 mm	
FOR CONNECTING JOINTS	WALL AND CEILING			
ARTICLE NO.	1014	1016	9.4931	9.4929
				4 SCREWS / M



Credits: @interieurbylien

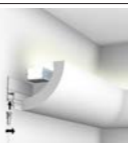


# DECO RAIL LED



**20**  
KG/M

**10**  
YEAR  
WARRANTY



## Invisible hanging system with subtle indirect lighting

The Deco Rail LED is a hanging system and lighting profile, with subtle indirect LED lighting in one. With the lighting profile C362 by ORAC, you add indirect lighting by diffusing light from the wall. A modern, ambient finish within the interior. Combining the Deco Rail with the lighting profile results in an invisible hanging system and allows flexible adornment of the walls. With no damage to sleekly finished walls, pictures can be hung and moved around whenever you please. Hanging wires can be clicked anywhere along the rail behind the lighting profile. The indirect lighting profile is supplied without the LED.

### RAIL / LIGHTING PROFILE



DECO RAIL - WHITE/PRIMER RAL 9016

C362 LIGHTING PROFILE

ARTICLE NO. 200 cm	05.75100	05.75362
PROFILE DIMENSIONS	5 x 5 x 200 cm	

### BEVESTIGINGSMATERIALEN



290 ml (for 7 - 8 m)

GLUE FOR DECO RAIL LED



PLUG FISCHER 5 X 30 R  
5 mm



SCREW 3,5 x 45 mm

ARTICLE NO.	1017	9.4931	9.4929
-------------	------	--------	--------

4 SCREWS / M



Credits: @vanderplyminterieur

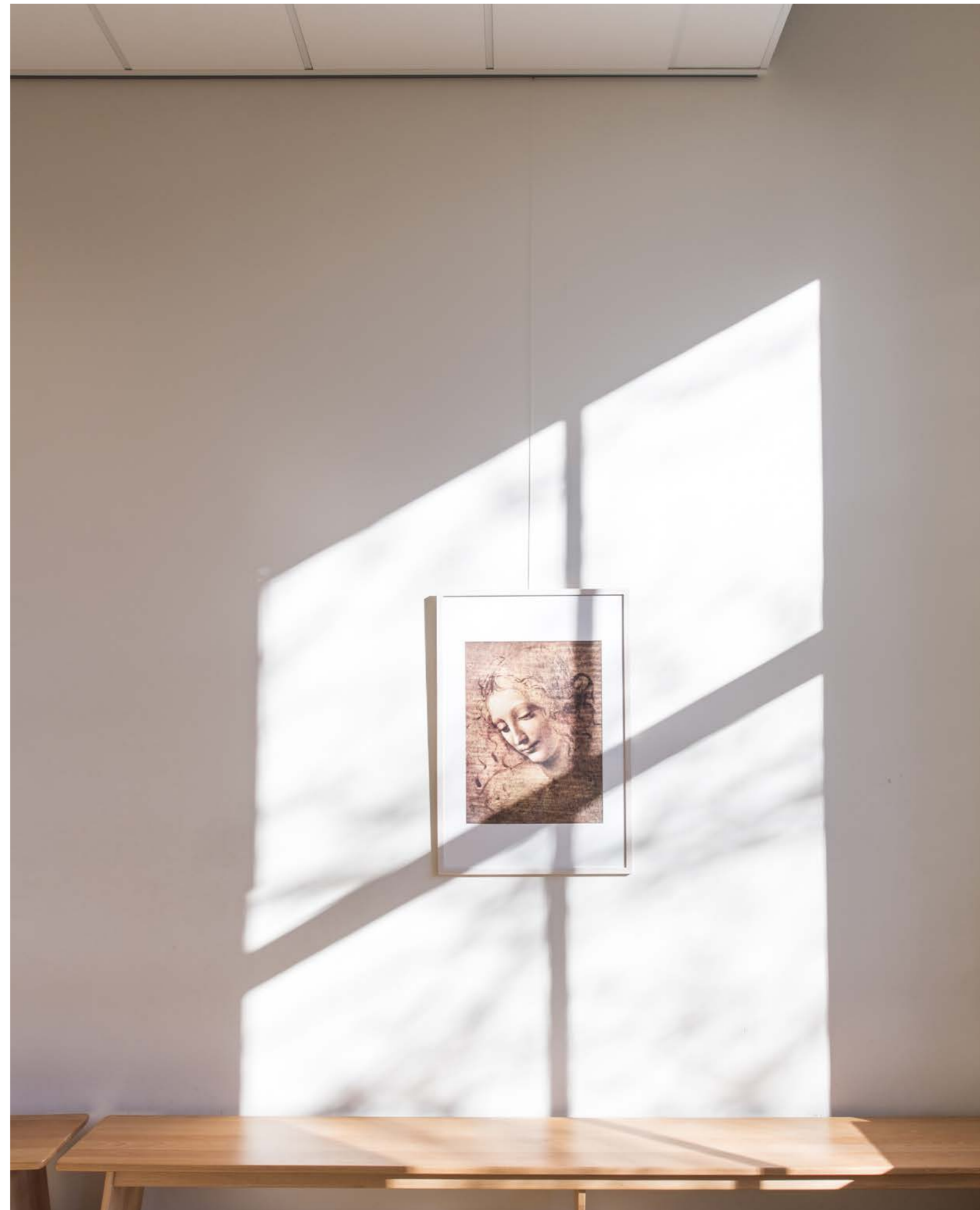
# ART STRIP



<b>50</b> KG/M
<b>10</b> YEAR WARRANTY

### Hanging rail integrated in side strip - suitable for recessed ceilings using a side strip

The Art Strip is the picture hanging system that may be hidden in a recessed ceiling. It replaces the side strip which is used for the installation of recessed ceilings. During a tear-down phase or renovation work, the Art Strip can be installed at the same time as the recessed ceiling. The corner profile for the recessed ceiling is then mounted to the Art Strip. When you mount the Art Strip during the installation of recessed ceilings, you will have a picture hanging system available throughout the entire space, giving you a flexible way to decorate the walls. The Twister hanging cords may be clicked into any desired location in the rail next to the recessed ceiling.





# SHADOWLINE

DRYWALL - FIXATION DRYWALL



**20**  
KG/M

**10**  
YEAR  
WARRANTY

### Hanging rail for plasterboard ceilings and walls (drywall)

The Shadowline rail - drywall enables the placement of an invisible picture hanging system between plasterboard walls and ceiling panels. A discreet shadow line is the only element that appears between the wall and ceiling, and this is where the flexible picture hanging system is hidden. It is possible to install a hanging cord in the rail, anywhere you like in the room. Since the rail itself isn't visible, the hanging cords are suspended directly from the ceiling. If you choose the transparent perlon hanging cords for the rail, you will have the most discreet picture hanging system at your disposal. Using the Shadowline ceiling system means you will always have a guarantee of smooth, clean walls, and the flexibility to decorate them any way you like, without the need for tools.

#### RAIL



SHADOWLINE DRYWALL -  
WHITE PRIMER RAL 9016

ARTICLE NO. 200 cm FOR USE WITH DRYWALL 13 mm 05.08440

#### FASTENER MATERIAL

	ARTICLE NO.
FISCHER UX 5 x 30 R UNIVERSAL PLUG 5 mm	9.4931
SCREW 3,5 mm x 45 mm	9.4929

THE RAIL IS NOT PRE DRILLED



installation  
video



Credits: Artiteq Skandinavie



# SHADOWLINE

MASONRY - FIXATION STONE WALLS



**20**  
KG/M

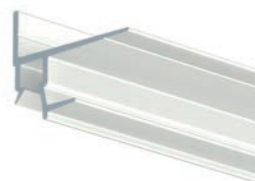
**10**  
YEAR  
WARRANTY

9 SCREWS / 2.5M

## Hanging rail for plasterboard ceilings and masonry walls

The Shadowline rail - masonry offers the same advantages as the plasterboard version, yet has been specially designed for use with masonry walls. The Shadowline rail is installed on a masonry wall during the building or renovation phase. The Shadowline profile disappears completely in the shadow line next to the ceiling panels, yet still offers all the advantages of a flexible hanging system: undamaged, clean walls and the flexibility to quickly and easily hang paintings and other wall decorations and move them around as desired.

### RAIL



SHADOWLINE MASONRY -  
WHITE PRIMER RAL 9016

ARTICLE NO. 200 cm USE WITH BRICKWALL 13 mm

05.08450

### FASTENER MATERIAL

	ARTICLE NO.
FISCHER UX 5 x 30 R PLUG 5 mm	9.4931
SCREW 3,5 mm x 45 mm	9.4929
9 SCREWS PER 2,5 m	



installation  
video



Credits: Artiteq Skandinavië



# FASTENER MATERIAL

	CLICK&CONNECT 3 CLIPS/m	CLICK&CONNECT 3 RINGS 3 CLIPS/m	FASTENING CLIP ROUND 3 CLIPS/m	CLICK&CONNECT 3 CLIPS/m	CLICK&CONNECT 3 CLIPS/m	CLICK&CONNECT 3 CLIPS/m
	9.4113	9.4119	9.4106	9.4124	30.31110	05.06010
CONTOUR RAIL P.12					+	
CLICK RAIL P.08	+	0	0			
CLICK RAIL PRO P.10				+		
UP RAIL P.22						+

	END CAP WHITE	END CAP WHITE	END CAP GREY	END CAP BLACK	END CAP WHITE	END CAP GREY	CORNER CONNECTOR WHITE	CORNER CONNECTOR GREY	CORNER CONNECTOR BLACK	CORNER CONNECTOR WHITE	CORNER CONNECTOR GREY	SET END CAPS L&R WHITE	SET END CAPS L&R BLACK
	30.31210	9.4105	9.4104	9.4112	9.4120	9.4121	9.4107	9.4108	9.4114	9.4122	9.4123	05.06020	05.06030
CONTOUR RAIL	+												
CLICK RAIL		+	+	+			+	+	+				
CLICK RAIL PRO					+	+				+	+		
UP RAIL												+	+

	PLUG 4 mm	SCREW 9.4912 (WHITE) / 9.4913 (ALU) / 9.4903 (BLACK)	FISCHER UX 5 X 30 R 5 mm	PLUG UNIVERSAL 6 mm	SCREW WHITE 3,5 mm x 45 mm	SCREW ALU 3,5 mm x 45 mm	SCREW 3,5 mm x 45 mm	SCREW METAL STUD 3,5 mm x 38 mm (FOR USE WITH METAL) (NO PLUG)
	9.4900	9.4912/13/03	9.4931	9.4930	9.4901	9.4902	9.4929	9.4928
CONTOUR RAIL P.12			+	0			+	+
CLICK RAIL P.08			+	0			+	+
CLICK RAIL PRO P.10			+	0			+	+
CLASSIC RAIL P.16			+	0	+	+		
CLASSIC RAIL+ P.18			+	0	+	+		
UP RAIL P.22			+	0			+	+
TOP RAIL P.24	+	+						
DECO RAIL P.30			+				+	+
SHADOWLINE DRYWALL P.36							+	
SHADOWLINE MASONRY P.38			+				+	

CLASSIC RAIL, CLASSIC RAIL+ AND DECO RAIL: 1 SCREW PER 250 mm  
SHADOWLINE MASONRY : 1 SCREW PER 300 mm  
TOP RAIL : 1 SCREW PER 125 mm

# FASTENER MATERIAL

## FASTENER KITS



	WHITE		WHITE PRIMER		ALU		BLACK	
	200 cm	300 cm	200 cm	300 cm	200 cm	300 cm	200 cm	300 cm
CONTOUR RAIL			30.31310	30.31330				
CLICK RAIL	4065	4061	4065	4061	4064	4060	5094	5095
CLICK RAIL PRO			4067	4074	4066	4073		
CLASSIC RAIL	4072	4079	4072	4079	4071	4078		
CLASSIC RAIL +	4072	4079			4071	4078		
UP RAIL			4098	4099			5096	
TOP RAIL	4070	4077	4070	4077	4069	4076	4068	4075



all installation videos





Credits: AS Hanging USA

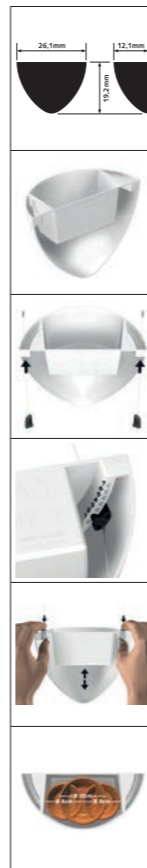
SOLO

FLEXIBLE  
STRONG  
SAFE

## ▶ PICTURE HANGING SYSTEMS



# BOTANIQ



installation video

### Make room for plants on the wall

There is always room for plants in your home or office. Create a surprising and dynamic effect with the Artiteq Botaniq hanging flowerpot. Hang your plants optimally with the stylish Botaniq with soft round shapes. The Botaniq comes with two 1mm perlon Twister hanging wires and two Micro Grip hooks, so you can easily hang it at the right height within Artiteq's hanging rail. The Botaniq hanging flowerpot can only be used in combination with a picture hanging rail. Choose your color and combine with several other hanging pots at different heights to give your interior an urban jungle and natural touch!

### BOTANIQ COMPLETE SET



BOTANIQ WHITE 1,25 L

BOTANIQ GREEN 1,25 L

2X



MICRO GRIP 1mm

2X



TWISTER PERLON 1mm  
150cm

1x



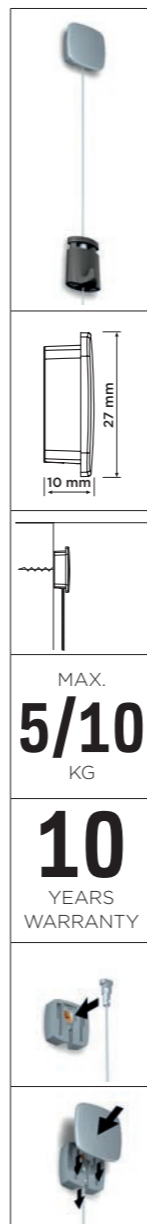
BOTANIQ HANGING FLOWERPOT  
WHITE / GREEN\*

	BOTANIQ WHITE 1,25 L	BOTANIQ GREEN 1,25 L
SIZE*	261x192x121 mm	261x192x121 mm
MAX. WEIGHT	5 kg	5 kg
ARTICLE NO.	7600.110	7600.120

\*COMPATIBLE FOR POT SIZE OF MAX. Ø10 cm



# UNIQ HANGER



MAX.  
**5/10**  
KG

**10**  
YEARS  
WARRANTY

### A different way to hang wall decorations

In some spaces, it either isn't possible or desirable to use a hanging rail. The Uniq Hanger offers a solution for these situations. Not only is it easy and safe to hang a picture frame on the wall and easily adjust the height, but it also creates a certain look. The combination of the stainless steel button with the steel wire might result in just the look you want to create in an interior. You also have the option of fully concealing the system behind your photo frame or painting.

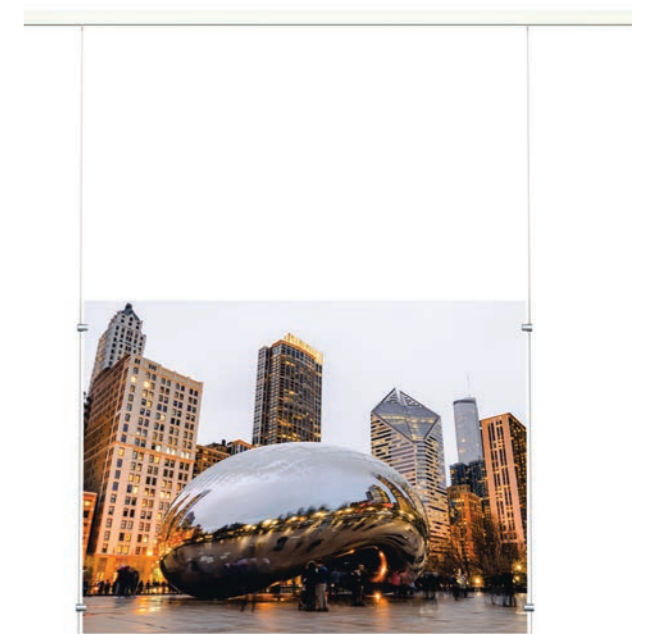
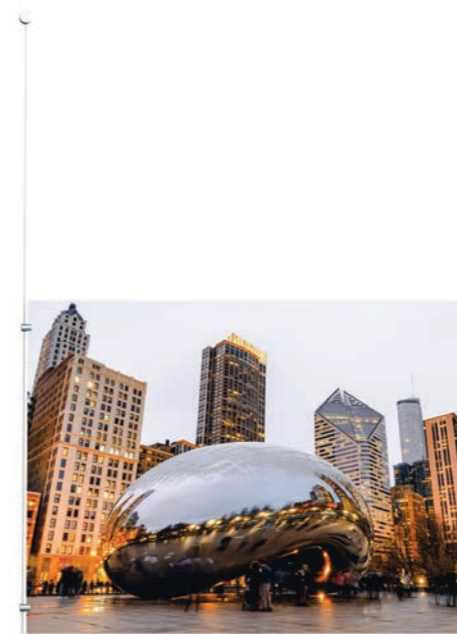
### Hanging a frame without a rail

The Uniq Hanger consists of a wall fitting with cover, Twister 1 mm steel wire and a Micro Grip 1 mm suspension hook. It's easy to insert the steel wire in the wall fitting, and then just slide the stainless steel cover over this. After you slide the Micro Grip 1 mm over the steel wire, you can adjust the height.

The Uniq Hanger may also be used with perlon hanging wires.

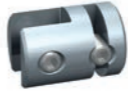

UNIQU HANGER		
		
ø 6mm	max. <b>10 kg</b>	max. <b>5 kg</b>
UNIQU HANGER	SET UNIQU HANGER TWISTER 1 mm STEELWIRE 200 cm + MICRO GRIP 1 mm	SET UNIQU HANGER TWISTER 1 mm PERLON 200 cm + MICRO GRIP 1 mm
ARTICLE NO. 7805.042	7840.220	7840.240

# DISPLAY IT SOLO SET



### A sleek hanging system for walls

Display It Solo Set is a hanging system for plates with thicknesses ranging from 3 to 6 mm, making it ideal for hanging Plexiglas and acrylic plates. With this system photos can be displayed in a sleek and safe way on the wall. Display It Solo Set is a display system that is easy to mount to the wall. The system consists of 2 buttons that are mounted to the wall, and then the Twister hanging cords are then Twister hanging cords hooked into them. Using the 4 clamps, you then attach the acrylic or Dibond plate to the perlon wire. This display system may also be used in combination with our hanging rails.

DISPLAY IT SOLO SET				
				
	4x	2x	2x	2x
	CLAMP SINGLE 3-6 mm	WALL CLIP + COVER WHITE	FASTENER MATERIAL	TWISTER 2 mm PERLON
		PLASTIC		200 cm
ARTICLE NO. 7840.150	7805.030	7805.040	9.4929 / 9.4930 / 9.3394	09.23200



# DROP CEILING CLIPPHANGER






# DROP CEILING CLIPPHANGER



### Hanging set for hanging frames on a drop ceiling

Versatile and efficient drop ceiling hanging solution to hang (light) posters, paintings and frames from a drop ceiling. The Drop Ceiling Clipphanger has a quick and easy installation. Slide the Drop Ceiling Clipphanger onto the drop ceiling at the end of the wall. The perlon wire 200 cm is already attached to the clip. Attach the hook onto the perlon wire for hanging posters, frames, or paintings with a maximum weight of 4 kg.

COMPLETE SET		
		
1X		
SET DROP CEILING CLIPPHANGER	DROP CEILING CLIPPHANGER WHITE 1x 200 cm PERLON WIRE	HOOK
		4 kg
ARTICLE NO. <b>7807.560</b>	7807.560	9.4205

# PARTITION WALL HOOKS



## HOOKS



PARTITION WALL HOOK			
SIZE	16 mm	21 mm	31 mm
COLOUR	WHITE	WHITE	WHITE
MAX. CAPACITY	15 kg	15 kg	15 kg
ARTICLE NO.	9.4503	9.4504	9.4506

## HANGING WIRES



9.4424	<b>SLIDER ECONOMY</b>	2 mm	100 cm
9.4425	<b>SLIDER ECONOMY</b>	2 mm	150 cm
9.4426	<b>SLIDER ECONOMY</b>	2 mm	200 cm
9.4427	<b>SLIDER ECONOMY</b>	2 mm	250 cm
9.4428	<b>SLIDER ECONOMY</b>	2 mm	300 cm



MICRO GRIP 2 mm  
30.41200 | 20 kg



MICRO GRIP LOCK 2 mm  
30.41250 | 20 kg

FOR OVERVIEW HOOKS AND HANGING SETS SEE PAGE 62-73

### Flexible and solid

Since it is not always possible (or allowed) to hang rails in every room, we also offer solutions for hanging pictures and wall decorations in the form of partition wall hooks. We offer a range of various types of partition wall hooks for rooms with partitions, giving you a solid, practical way to hang pictures and decorations even on these types of walls. Partition wall hooks are hung over the top of a wall, and then used in combination with a perlon or other type of cord fitted with a picture hook. We offer a variety of solutions depending on the weight of the picture or decoration to be hung.

## HOOKS



PARTITION WALL HOOK			PARTITION WALL HOOK FLEX		
SIZE	16 mm	21 mm	31 mm	11-30 mm	
COLOUR	WHITE	WHITE	WHITE	STAINLESS STEEL	WHITE
MAX. CAPACITY	15 kg	15 kg	15 kg	3 kg	3 kg
ARTICLE NO.	9.4503	9.4504	9.4506	9.4540	9.4541

## HOOKS



S-HOOK	GALLERY HOOK		GALLERY HOOK LARGE				
SIZE	2 mm	18 mm		20 mm			
COLOUR	WHITE	WHITE	NICKEL-PLATED	BRASS	WHITE	NICKEL-PLATED	BRASS
MAX. CAPACITY	20 kg	12,5 kg	12,5 kg	12,5 kg	20 kg	20 kg	20 kg
ARTICLE NO.	9.4500	9.4239	9.4238	9.4241	9.4247	9.4246	9.4248

## HANGING WIRES



9.4412	<b>PERLON + LOOP</b>	2 mm	100 cm
9.4413	<b>PERLON + LOOP</b>	2 mm	150 cm
9.4414	<b>PERLON + LOOP</b>	2 mm	200 cm
9.4415	<b>PERLON + LOOP</b>	2 mm	250 cm
9.4416	<b>PERLON + LOOP</b>	2 mm	300 cm
9.4975	<b>STEELWIRE + LOOP</b>	2 mm	100 cm
9.4976	<b>STEELWIRE + LOOP</b>	2 mm	150 cm
9.4977	<b>STEELWIRE + LOOP</b>	2 mm	200 cm
9.4978	<b>STEELWIRE + LOOP</b>	2 mm	250 cm
9.4979	<b>STEELWIRE + LOOP</b>	2 mm	300 cm



MICRO GRIP 2 mm  
30.41200 | 20 kg



MICRO GRIP Lock 2 mm  
30.41250 | 20 kg

FOR MORE HOOKS SEE PAGE 68

# MAGNETIC PICTURE HOOKS



7410.001	<b>MAGNETIC PICTURE HOOK STEEL</b>	100 x 53 mm	MAX. 1 kg
7410.002	<b>MAGNETIC PICTURE HOOK STEEL</b>	100 x 200 mm	MAX. 4 kg
7410.003	<b>MAGNETIC PICTURE HOOK STEEL</b>	150 x 250 mm	MAX. 6 kg
7410.004	<b>MAGNETIC PICTURE HOOK STEEL</b>	200 x 300 mm	MAX. 12 kg



# PARTITION WALL HOOKS

I.C.M. OBIMEX / ALCOA / SYPLA / SYSTEMFLEX / INTERSELECT PARTITION WALLS



HOOKS			
	WHITE	BLACK	
	WALL HOOK SYSTEMFLEX / INTERSELECT		
COLOUR	WHITE	BLACK	
MAX. CAPACITY	5 kg	5 kg	
ARTICLE NO.	9.4520	9.4521	



HOOKS			
	WHITE	BLACK	
	WALL HOOK ALCOA / SYPLA / OBIMEX		
COLOUR	WHITE	BLACK	
MAX. CAPACITY	5 kg	5 kg	
ARTICLE NO.	9.4522	9.4523	

1 mm					
TWISTER 1 mm					
	30.21150	TWISTER	1 mm	PERLON	150 cm
	30.21200	TWISTER	1 mm	PERLON	200 cm
	30.21300	TWISTER	1 mm	PERLON	300 cm

2 mm					
TWISTER 2 mm					
	09.23100	TWISTER	2 mm	PERLON	100 cm
	09.23150	TWISTER	2 mm	PERLON	150 cm
	09.23200	TWISTER	2 mm	PERLON	200 cm
	09.23250	TWISTER	2 mm	PERLON	250 cm
	09.23300	TWISTER	2 mm	PERLON	300 cm
	09.23500	TWISTER	2 mm	PERLON	500 cm

1 mm					
TWISTER 1 mm					
	30.21150	TWISTER	1 mm	PERLON	150 cm
	30.21200	TWISTER	1 mm	PERLON	200 cm
	30.21300	TWISTER	1 mm	PERLON	300 cm

2 mm					
TWISTER 2 mm					
	09.23100	TWISTER	2 mm	PERLON	100 cm
	09.23150	TWISTER	2 mm	PERLON	150 cm
	09.23200	TWISTER	2 mm	PERLON	200 cm
	09.23250	TWISTER	2 mm	PERLON	250 cm
	09.23300	TWISTER	2 mm	PERLON	300 cm
	09.23500	TWISTER	2 mm	PERLON	500 cm



FOR MORE HOOKS SEE PAGE 68

### For hanging on to partition walls

For areas where partitions are used to create quick and durable routes within (office) buildings, we have added two partition wall hooks to the range on the Obimex / Alcoa / Sypla and Systemflex / Interselect partitions. The wall hook is simply clicked into the desired location in the system wall and then used in combination with an Artiteq Twister Perlon hanging wire of 1 mm or 2 mm with picture hook. The wall hook has a maximum carrying capacity of 5 kg.

2 mm					
SLIDER ECONOMY 2 mm					
	9.4424	SLIDER ECONOMY	2 mm	PERLON	100 cm
	9.4425	SLIDER ECONOMY	2 mm	PERLON	150 cm
	9.4426	SLIDER ECONOMY	2 mm	PERLON	200 cm
	9.4427	SLIDER ECONOMY	2 mm	PERLON	250 cm
	9.4428	SLIDER ECONOMY	2 mm	PERLON	300 cm



FOR MORE HOOKS SEE PAGE 68



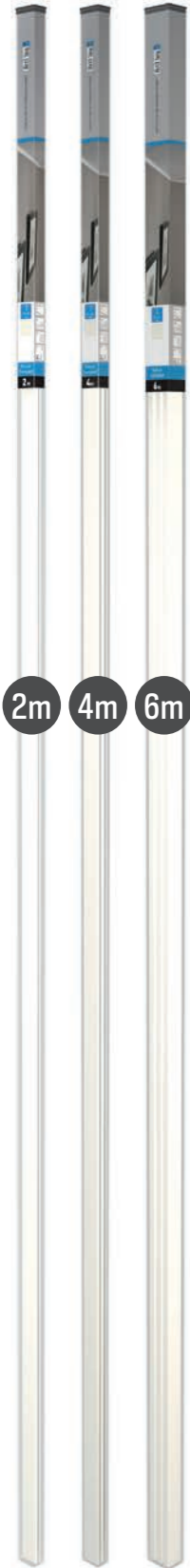
ALL-IN-ONE  
KITS

COMPACT  
DESIGN  
HIGH END

## ▶ PICTURE HANGING SYSTEMS



# CLICK RAIL



The Click Rail flexible picture hanging system is available in a variety of all-in-one kits: economy, a Twister with a 15-kg hook and a Twister with a 20-kg Micro Grip hook. These retail packages contain the rail, mounting materials and instruction sheet, hanging wires and hooks, and are available in 2-m, 4-m and/or 6-m sets. The all-in-ones kits offer a complete solution and are ready for immediate onward sale.

## ALL-IN-ONE CLICK RAIL ECONOMY

COMPLETE SET 2m				
	CLICK RAIL WHITE PRIMER RAL 9010	FASTENING MATERIAL	END CAP	HOOK 4 kg + SLIDER ECONOMY 2 mm PERLON
ARTICLE NO.	9.5621			

COMPLETE SET 4m				
	CLICK RAIL WHITE PRIMER RAL 9010	FASTENER MATERIAL	END CAP	HOOK 4 kg + SLIDER ECONOMY 2 mm PERLON
ARTICLE NO.	9.5627			

COMPLETE SET 6m				
	CLICK RAIL WHITE PRIMER RAL 9010	FASTENER MATERIAL	END CAP	HOOK 4 kg + SLIDER ECONOMY 2 mm PERLON
ARTICLE NO.	9.5629			

# CLICK RAIL

## ALL-IN-ONE CLICK RAIL ECONOMY

COMPLETE SET 2m				
	CLICK RAIL WHITE PRIMER RAL 9016	FASTENER MATERIAL	END CAP	HOOK 4 kg + SLIDER ECONOMY 2 mm PERLON
ARTICLE NO.	9.5623			


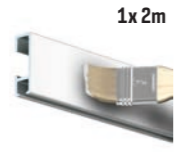



COMPLETE SET 4m				
	CLICK RAIL WHITE PRIMER RAL 9016	FASTENER MATERIAL	END CAP	HOOK 4 kg + SLIDER ECONOMY 2 mm PERLON
ARTICLE NO.	9.5628			


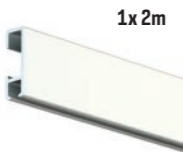



COMPLETE SET 6m				
	CLICK RAIL WHITE PRIMER RAL 9016	FASTENER MATERIAL	END CAP	HOOK 4 kg + SLIDER ECONOMY 2 mm PERLON
ARTICLE NO.	9.5630			


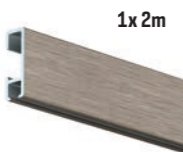



COMPLETE SET 2m				
	CLICK RAIL ALU BRUSHED	FASTENER MATERIAL	END CAP	HOOK 4 kg + SLIDER ECONOMY 2 mm PERLON
ARTICLE NO.	9.5622			


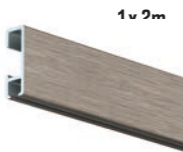



# CLICK RAIL

## ALL-IN-ONE CLICK RAIL TWISTER 15 KG HOOK

COMPLETE SET 2m				
	 1x 2m	 6x	 2x	 150 cm 2x max. 15 kg
	CLICK RAIL WHITE PRIMER RAL 9016	FASTENER MATERIAL	END CAP	HOOK 15 kg + TWISTER 2 mm PERLÖN
ARTICLE NO.	9.7162			


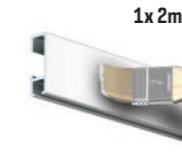



COMPLETE SET 2m				
	 1x 2m	 6x	 2x	 150 cm 2x max. 15 kg
	CLICK RAIL WHITE RAL 9010	FASTENER MATERIAL	END CAP	HOOK 15 kg + TWISTER 2 mm PERLÖN
ARTICLE NO.	9.7161			


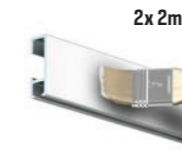



COMPLETE SET 2m				
	 1x 2m	 6x	 2x	 150 cm 2x max. 15 kg
	CLICK RAIL ALU BRUSHED	FASTENER MATERIAL	END CAP	HOOK 15 kg + TWISTER 2 mm PERLÖN
ARTICLE NO.	9.7163			

COMPLETE SET 2m				
	 1x 2m	 6x	 2x	 150 cm 2x max. 15 kg
	CLICK RAIL ALU BRUSHED	FASTENER MATERIAL	END CAP	HOOK 15 kg + TWISTER 2 mm STEELWIRE
ARTICLE NO.	9.7164			

# CLICK RAIL

## ALL-IN-ONE CLICK RAIL TWISTER MICRO GRIP 20 KG HOOK

COMPLETE SET 2m				
	 1x 2m	 6x	 2x	 150 cm 2x max. 20 kg
	CLICK RAIL WHITE PRIMER RAL 9016	FASTENER MATERIAL	END CAP	MICRO GRIP 2 mm + TWISTER 2 mm PERLÖN
ARTICLE NO.	9.7130			

COMPLETE SET 4m				
	 2x 2m	 12x	 2x	 150 cm 3x max. 20 kg
	CLICK RAIL WHITE PRIMER RAL 9016	FASTENER MATERIAL	END CAP	MICRO GRIP 2 mm + TWISTER 2 mm PERLÖN
ARTICLE NO.	9.7131			





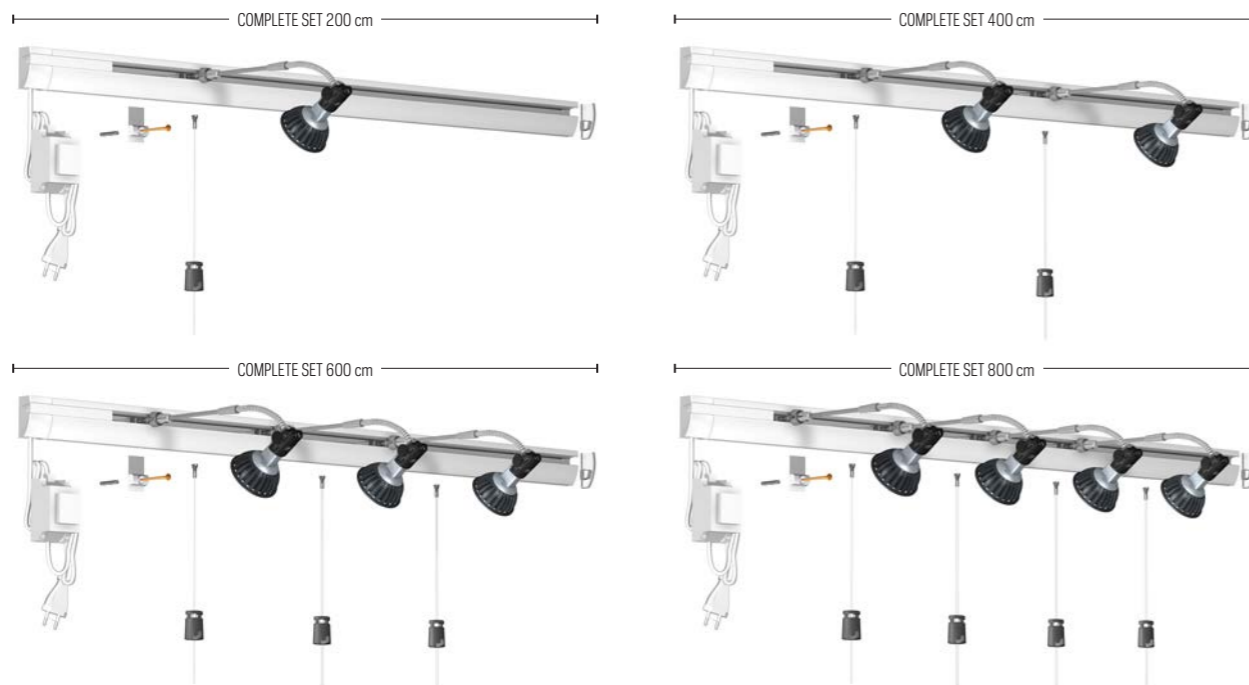
# COMBI RAIL PRO LIGHT

AVAILABLE UNTIL MID 2024!

The flexible picture hanging system, including Combi Rail Pro Light lighting, is available in 4 different all-in-one kits: 2, 4, 6 and 8 metres. As well as the rail, these sets contain all the required parts, as well as the following accessories: Twister perlon hanging wire with a Micro Grip 20-kg hook.

## COMBI RAIL PRO LIGHT ALL-IN-ONE LED SETS 2m/4m/6m/8m

					
	COMBI RAIL PRO LIGHT RAL 9010 (INCLUDES MOUNTING MATERIAL)	FITTING 50 cm	MASTER LED PHILIPS 6,7W	TRAF0 220/12 INCLUDES CONNECTION BLOCK	MICRO GRIP 2 mm + TWISTER 2 mm 150 cm PERLON
ARTICLE NO.	40.11200	40.21500	40.41306	40.31300 / 40.32100	30.42200
40.51350 (2m)	1x	1x	1x	1x	1x
40.51360 (4m)	2x	2x	2x	1x	2x
40.51370 (6m)	3x	3x	3x	1x	3x
40.51380 (8m)	4x	4x	4x	1x	4x



## ▶ HANGING WIRES AND HOOKS



FLEXIBLE  
SAFE  
STRONG



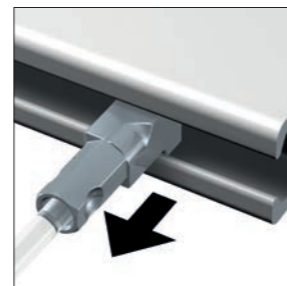
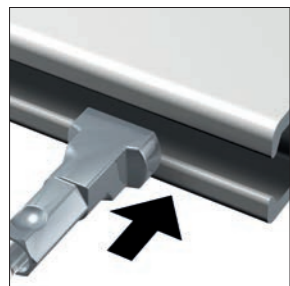
# HANGING WIRES

In addition to the different hanging systems that Artiteq offers, there are (small) essential parts that are needed to actually hang the painting or wall decoration you want on the chosen rail. For example, there are various types of hanging wires and hooks to choose from, depending on your chosen rail and the weight of your painting or wall decoration.



**TWISTER™**

MAX.  
20 KG



1

## SIMPLE-SAFE-STRONG

Artiteq developed the Twister glider system for all its hanging rails. Twister offers the most Logical and user-friendly way to hook the hanging wire into the rail: insert, twist, click and you're done. Since the Twister may be clicked anywhere on the rail, you can hang a picture anywhere you like on the wall. You have the option of using Twister in perlon, steel wire or rods for all the Artiteq hanging systems. The perlon and steel hanging wires with the Twister mechanism are available in 1 or 2 mm thicknesses, and in lengths ranging from 100 to 500 cm.

**TWISTER™**

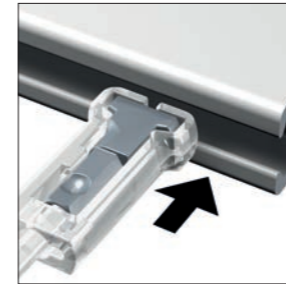
Twister is a European Registered Community Design.



# HANGING WIRES

**TWISTER™** CLIQ2FIX<sub>perlon</sub>

MAX.  
20 KG



2

## EXTRA EASE-OF-USE

Thanks to the development of the Twister Cliq2Fix perlon system, perlon cord now has an additional functionality when it comes to hanging pictures. The hanging wire equipped with the Twister Cliq2Fix system may be inserted in the rail, eliminating the risk of the perlon cord popping loose from the rail as a result of its recoiling effect. This makes it extra safe, and easy to slide into the rail. In other words, extra ease-of-use.



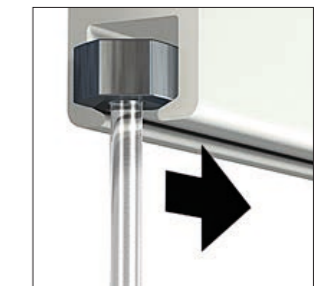
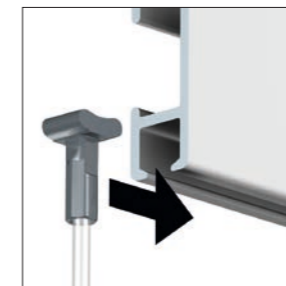
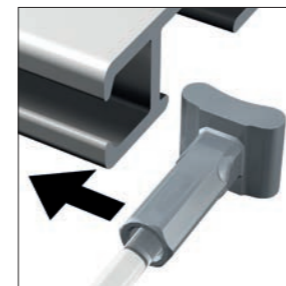
## SOLID SLIDER

MAX.  
20 KG

## SLIDER ECONOMY

not visible in the rail

MAX.  
15 KG



3

## SLIDE INTO SIDE

Artiteq developed the Solid Slider system which attaches the hanging wire with glider via the side of the rail. This system is available for 2 mm perlon and 2 mm steel wire. The hanging wire may be freely slid into the hanging rail, yet may not be removed from the rail as easily. Hanging wires with the Solid Slider mechanism are available in lengths of 100, 150, 200, 250, 300 en 500 cm. A slanted stop system is available for slanted walls. This system makes it possible to use a flexible picture hanging system even with slanted walls, for example in a staircase.





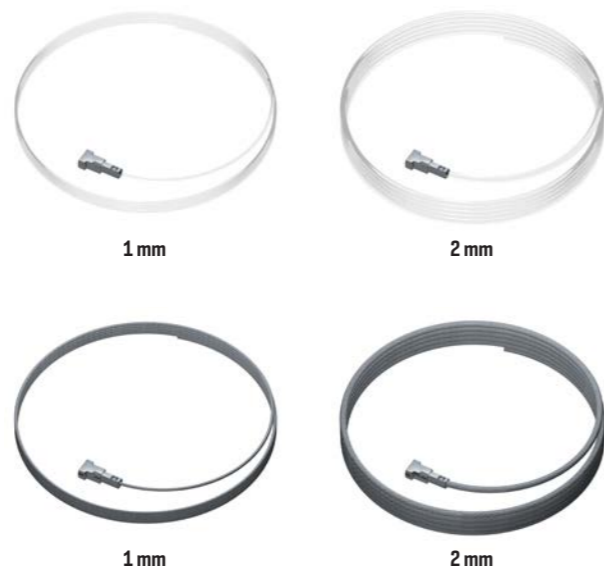
# HANGING WIRES



## 1 mm vs 2 mm hanging wires

Artiteq offers the Twister hanging wires in two different thicknesses; 1 mm and 2 mm. Both perlon and steel wire hanging wires are available in the two different thicknesses. The steel wire black hanging wires are only available in 1 mm.

The choice of choosing 1 mm hanging wires depends on one's own requirements. The smaller the diameter of the hanging wire, the less visible it is. Especially with the perlon hanging wires, the choice for 1 mm can be preferable. To hang a frame or wall decoration as invisible as possible.



# HANGING WIRES

1 mm					
TWISTER 1 mm					
	30.21150	TWISTER	1 mm	PERLON	150 cm
	30.21200	TWISTER	1 mm	PERLON	200 cm
	30.21300	TWISTER	1 mm	PERLON	300 cm
	30.22150	TWISTER	1 mm	STEEL	150 cm
	30.22200	TWISTER	1 mm	STEEL	200 cm
	30.22300	TWISTER	1 mm	STEEL	300 cm
	09.63150	TWISTER	1 mm	STEEL BLACK	150 cm
	09.63200	TWISTER	1 mm	STEEL BLACK	200 cm
	09.63300	TWISTER	1 mm	STEEL BLACK	300 cm

2 mm					
TWISTER 2 mm					
	09.23100	TWISTER	2 mm	PERLON	100 cm
	09.23150	TWISTER	2 mm	PERLON	150 cm
	09.23200	TWISTER	2 mm	PERLON	200 cm
	09.23250	TWISTER	2 mm	PERLON	250 cm
	09.23300	TWISTER	2 mm	PERLON	300 cm
	09.23500	TWISTER	2 mm	PERLON	500 cm
	09.33100	TWISTER	2 mm	STEEL	100 cm
	09.33150	TWISTER	2 mm	STEEL	150 cm
	09.33200	TWISTER	2 mm	STEEL	200 cm
	09.33250	TWISTER	2 mm	STEEL	250 cm
	09.33300	TWISTER	2 mm	STEEL	300 cm
	09.33500	TWISTER	2 mm	STEEL	500 cm
	9.4196	TWISTER	2 mm	ROD WHITE	100 cm
	9.4198	TWISTER	2 mm	ROD WHITE	200 cm

2 mm					
SLIDER ECONOMY 2 mm					
	9.4424	SLIDER ECONOMY	2 mm	PERLON	100 cm
	9.4425	SLIDER ECONOMY	2 mm	PERLON	150 cm
	9.4426	SLIDER ECONOMY	2 mm	PERLON	200 cm
	9.4427	SLIDER ECONOMY	2 mm	PERLON	250 cm
	9.4428	SLIDER ECONOMY	2 mm	PERLON	300 cm

2 mm					
TWISTER CLIQ2FIX PERLON					
	09.13100	TWISTER CLIQ2FIX	2 mm	PERLON	100 cm
	09.13150	TWISTER CLIQ2FIX	2 mm	PERLON	150 cm
	09.13200	TWISTER CLIQ2FIX	2 mm	PERLON	200 cm
	09.13250	TWISTER CLIQ2FIX	2 mm	PERLON	250 cm
	09.13300	TWISTER CLIQ2FIX	2 mm	PERLON	300 cm

2 mm					
SOLID SLIDER					
	08.23100	SOLID SLIDER	2 mm	PERLON	100 cm
	08.23150	SOLID SLIDER	2 mm	PERLON	150 cm
	08.23200	SOLID SLIDER	2 mm	PERLON	200 cm
	08.23250	SOLID SLIDER	2 mm	PERLON	250 cm
	08.23300	SOLID SLIDER	2 mm	PERLON	300 cm
	08.23500	SOLID SLIDER	2 mm	PERLON	500 cm
	08.43100	SOLID SLIDER	2 mm	STEEL	100 cm
	08.43150	SOLID SLIDER	2 mm	STEEL	150 cm
	08.43200	SOLID SLIDER	2 mm	STEEL	200 cm
	08.43250	SOLID SLIDER	2 mm	STEEL	250 cm
	08.43300	SOLID SLIDER	2 mm	STEEL	300 cm
	08.43500	SOLID SLIDER	2 mm	STEEL	500 cm



Credits: @dutchguy84

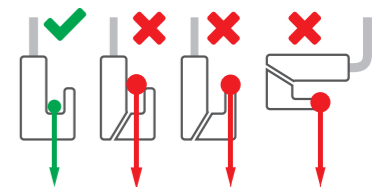


# HOOKS

Depending on the weight of a frame or other wall decoration, the right picture hook must be selected. The wide product range offers hooks with maximum load capacities varying from 4 kg to 20 kg.

	30.41200 20 kg AUTO GRIP	30.41250 20 kg AUTO GRIP	30.41100 10/5 kg AUTO GRIP	9.4264 15 kg AUTO GRIP	9.4261 15 kg AUTO GRIP
	LOCK			LOCK	
<b>TWISTER 1 mm PERLON</b> 150 / 200 / 300 cm			✓		
<b>TWISTER 1 mm STEELWIRE</b> 150 / 200 / 300 cm			✓		
<b>TWISTER 1 mm STEELWIRE BLACK</b> 150 / 200 / 300 cm			✓		
<b>TWISTER 2 mm PERLON</b> 100 / 150 / 200 250 / 300 / 500 cm	✓	✓		✓	✓
<b>TWISTER 2 mm STEELWIRE</b> 100 / 150 / 200 250 / 300 / 500 cm	✓	✓		✓	✓
<b>TWISTER 2 mm 2 mm ROD WHITE</b> 100 / 200 cm	✓	✓			✓
<b>TWISTER CLIQ2FIX 2 mm PERLON</b> 100 / 150 / 200 250 / 300 cm	✓	✓		✓	✓
<b>SOLID SLIDER 2 mm PERLON*</b> 100 / 150 / 200 250 / 300 / 500 cm insert from the side	✓	✓		✓	✓
<b>SOLID SLIDER 2 mm STEELWIRE*</b> 100 / 150 / 200 250 / 300 / 500 cm insert from the side	✓	✓		✓	✓

	9.4208 10 kg MANUAL	9.4219 7 kg MANUAL	9.4209 7 kg MANUAL	9.4207 5 kg MANUAL	9.4205 4 kg MANUAL
<b>TWISTER 2 mm PERLON</b> 100 / 150 / 200 250 / 300 / 500 cm	✓	✓	✓	✓	✓
<b>TWISTER 2 mm ROD WHITE</b> 100 / 200 cm				✓	
<b>TWISTER CLIQ2FIX 2 mm PERLON</b> 100 / 150 / 200 250 / 300 cm	✓	✓	✓	✓	✓
<b>SOLID SLIDER 2 mm PERLON*</b> 100 / 150 / 200 250 / 300 / 500 cm insert from the side	✓	✓	✓	✓	✓



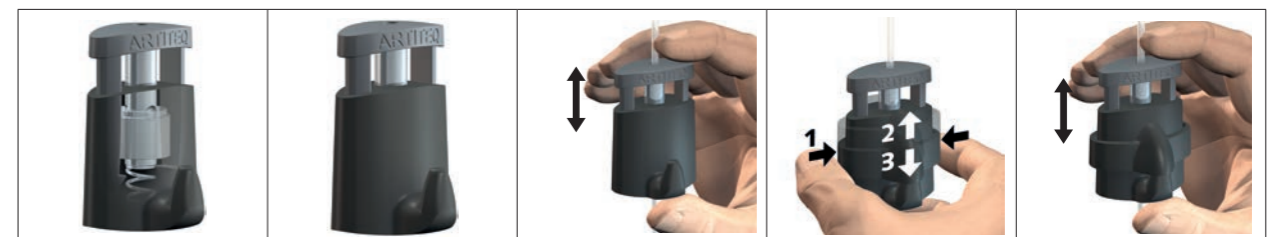
The maximum weight carrying capacity of a picture hook is only valid when the frame is correctly applied to the hook. This illustration shows how to correctly charge the picture hook.

## MICRO GRIP


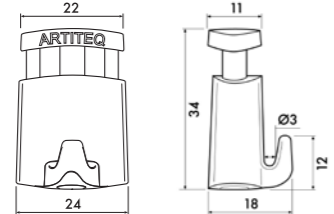

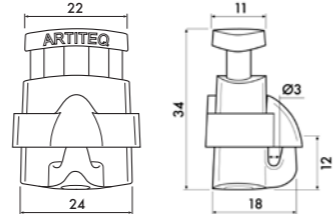
**Micro Grip** represents the newest generation of hooks. A high-quality plastic reinforced with fibreglass was chosen for this hook, leading to a 70% reduction in the use of materials compared with previous generations of hooks. In addition to the ecological advantages, the hook is extremely lightweight as a result, and very easy to use. The **Micro Grip** technology has been developed and patented by Artiteq. To guarantee the quality of the **Micro Grip** hooks, Artiteq has developed quality assurance procedures together with TÜV Nederland. The execution is under supervision of TÜV Nederland.


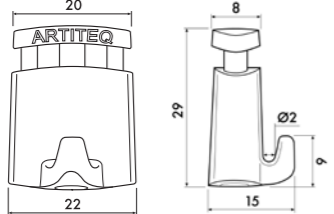

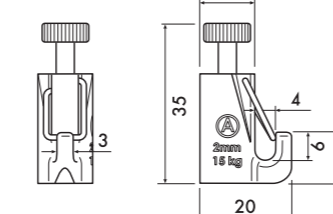



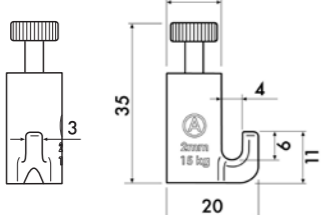

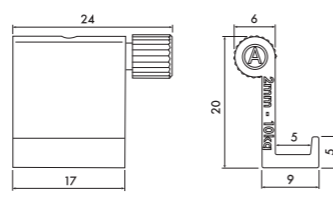
- LIGHTWEIGHT
- STRONG (20 kg)
- ERGONOMIC


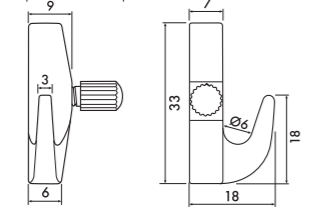

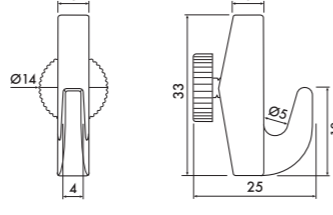



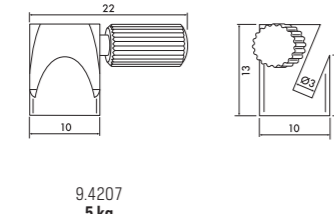

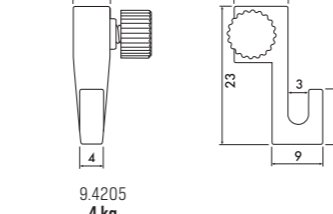
# HOOKS

			
<p>30.41200 <b>20 kg</b> AUTO GRIP</p>		<p>30.41250 <b>20 kg</b> AUTO GRIP</p>	

			
<p>30.41100 <b>10/5 kg</b> AUTO GRIP</p>		<p>9.4264 <b>15 kg</b> AUTO GRIP</p>	

			
<p>9.4261 <b>15 kg</b> AUTO GRIP</p>		<p>9.4208 <b>10 kg</b> MANUAL</p>	

			
<p>9.4219 <b>7 kg</b> MANUAL</p>		<p>9.4209 <b>7 kg</b> MANUAL</p>	

			
<p>9.4207 <b>5 kg</b> MANUAL</p>		<p>9.4205 <b>4 kg</b> MANUAL</p>	





# COMBINATIONS

A picture hanging system comprises the following elements: **rail**, **hanging wire** and **hanging hook**. Artiteq guarantees the functionality of the products because it carefully coordinates the various elements of a picture hanging system. The quality can only be guaranteed when original (Artiteq) products are combined correctly. The guarantee is null and void if there are combinations other than with the correct Artiteq products. A frame or canvas will always hang more steadily if **2 hanging wires** are used.

The weight of the frame determines the choice of the hook and wire, in combination with the maximum weight carrying capacity of one metre of the rail.

**INCORRECT COMBINATIONS**

**CORRECT COMBINATIONS**

# HANGING SETS

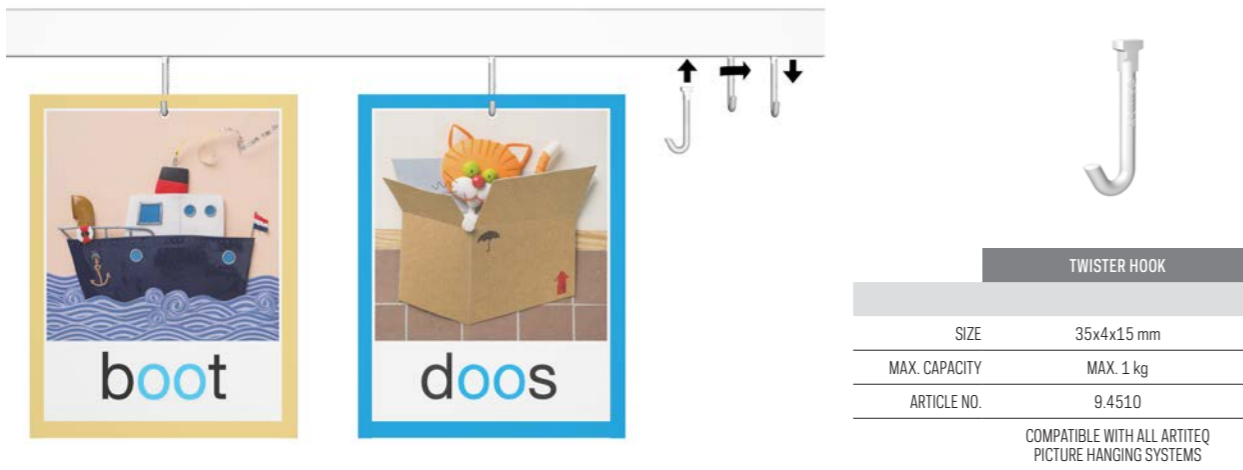
HANGING SETS 1 mm		HANGING SETS 2 mm				
max. 10 kg	max. 5 kg	max. 20 kg	max. 4 kg	max. 7 kg	max. 15 kg	max. 5 kg
TWISTER 1 mm STEELWIRE 150 cm + MICRO GRIP 1 mm (10 kg)	TWISTER 1 mm PERLON 150 cm + MICRO GRIP 1 mm (5 kg)	TWISTER 2 mm PERLON 150 cm + MICRO GRIP 2 mm (20 kg)	TWISTER 2 mm PERLON 150 cm + HOOK 9.4205 (4 kg)	TWISTER 2 mm PERLON 150 cm + HOOK 9.4209 (7 kg)	TWISTER 2 mm PERLON 150 cm + HOOK 9.4261 (15 kg)	TWISTER 2 mm PERLON 150 cm + HOOK 9.4207 (5 kg)
<b>HANGING SET</b>	<b>HANGING SET</b>	<b>HANGING SET</b>	<b>HANGING SET</b>	<b>HANGING SET</b>	<b>HANGING SET</b>	<b>HANGING SET</b>
30.42150	30.42100	30.42200	9.6670	9.6672	9.6674	9.6671

HANGING SETS 2 mm			STOPPER SET SLANTING WALLS	
max. 4 kg	max. 7 kg	max. 5 kg	max. 4 kg	
SLIDER ECONOMY 2mm 150 cm + HOOK 4kg (9.4205)	SLIDER ECONOMY 2mm 150 cm + HOOK 7kg (9.4209)	SLIDER ECONOMY 2mm 150 cm + HOOK 5kg (9.4207)	SOLID SLIDER 2 mm PERLONWIRE 150 cm + HOOK 4kg (9.4205) + STOPPER SLANTING WALLS	STOPPER SLANTING WALLS
<b>HANGING SET</b>	<b>HANGING SET</b>	<b>HANGING SET</b>	<b>HANGING SET</b>	
9.9004	9.4402	9.4400	9.6645	9.4235

installation video

# MISCELLANEOUS

## TWISTER HOOK



TWISTER HOOK	
SIZE	35x4x15 mm
MAX. CAPACITY	MAX. 1 kg
ARTICLE NO.	9.4510

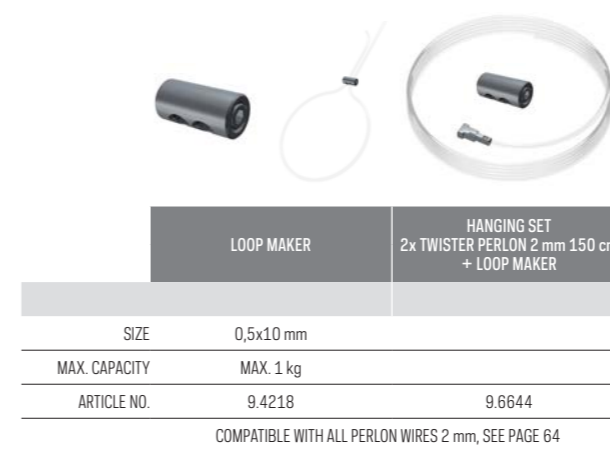
COMPATIBLE WITH ALL ARTITEQ PICTURE HANGING SYSTEMS

The Twister Hook completely replaces the hanging wire and hook. This plastic hook can provide an economical and practical solution for hanging light panels, artwork or, for example, a light string or garland for decoration, in combination with a picture hanging system. The maximum load capacity of the Twister Hook is 1 kg. The Twister Hook can be clicked into the rail at any position; turn in, click in and done.



# MISCELLANEOUS

## LOOP MAKER



LOOP MAKER		HANGING SET 2x TWISTER PERLON 2 mm 150 cm + LOOP MAKER	
SIZE	0,5x10 mm		
MAX. CAPACITY	MAX. 1 kg		
ARTICLE NO.	9.4218		9.6644

COMPATIBLE WITH ALL PERLON WIRES 2 mm, SEE PAGE 64

The Loop Maker offers a solution for hanging objects if a hook cannot be used. As it is possible to create a loop with the 2-mm perlon hanging wire, it is possible to hang much more than just a picture frame!





# MISCELLANEOUS

## PICTURE MOUSE



	PICTURE MOUSE WHITE	PICTURE MOUSE STEEL
	150 cm	150 cm
ARTICLE NO.	7805.014	7805.016
COMPATIBLE WITH ALL ARTITEQ PICTURE HANGING SYSTEMS		

Picture Mouse is a handy and original hanging cord for displaying several documents, such as cards and photos. It can also be used as a 'solo' version rather than as part of a picture hanging system. The Picture Mouse Solo system is simple to install by mounting the wall clip to the wall. The steel Picture Mouse cord can be inserted and is hung from the wall clip.

## PICTURE MOUSE SOLO (COMPLETE SET)

PICTURE MOUSE SOLO	PICTURE MOUSE WHITE	WALL CLIP + COVER (WITH FASTENER MATERIAL)	PICTURE CLIP TRANSPARENT
	1x	1x	10x
	150 cm		
ARTICLE NO.	7840.100		

As well as the transparent clips, magnets can also be used on the Picture Mouse cord. The Mouse Magnets, available in white or in colour, combine perfectly with the Picture Mouse cord.

PICTURE CLIP TRANSPARENT	MOUSE MAGNETS WHITE	MOUSE MAGNETS COLOUR	
ARTICLE NO.	7805.007	7430.020	7430.010





## ▶ FRAME ACCESSORIES



SIMPLE  
SAFE  
STRONG

Credits: @rohouseproud



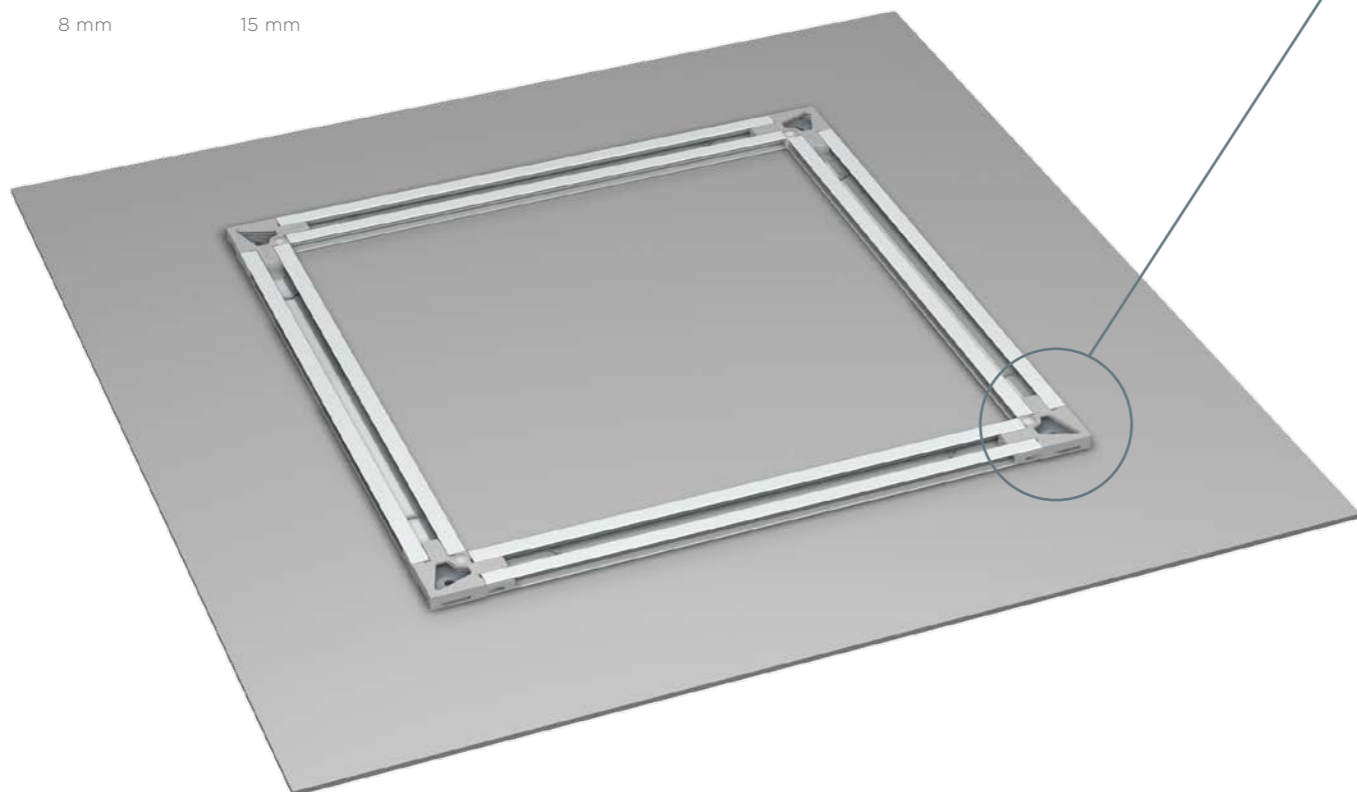
# ARTITEQ BACK FRAME HANGING SYSTEM



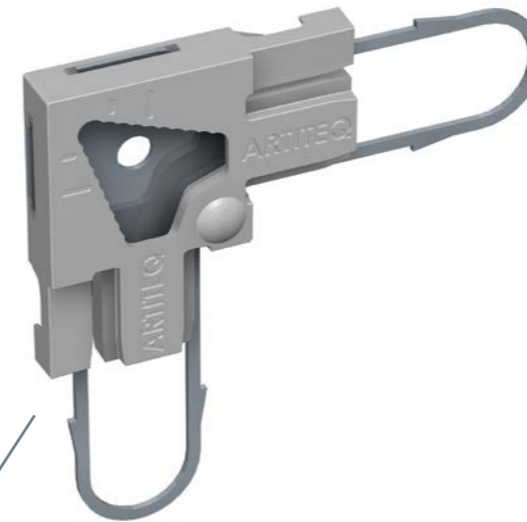
A **safe** and **solid** solution to hang printed panels.  
 Adds **depth** and **shadow** between panel and wall.  
 Adds **rigidity** to **flexible** panels made of aluminium (Dibond), forex or acrylic.

The Back Frame Hanging System is a mounting system especially for thin and flexible panels made of aluminium, forex or acrylic. It helps to stiffen the panel, while mounting is easy and safe. The leveling system provided by the Back Frame Corners is particularly convenient for the mounted panel allowing adjustment for the panel up to 6 mm. The panel will always be straight without drilling new holes.

The Back Frame Hanging System is available in 8 mm and 15 mm profiles, both in the versions alu mill finish and silver anodised.

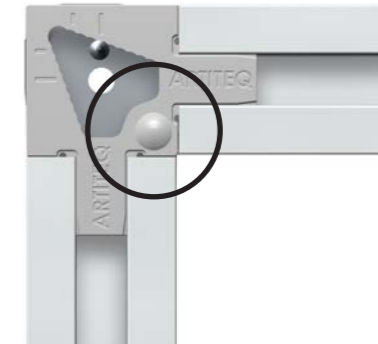


# ARTITEQ BACK FRAME HANGING SYSTEM

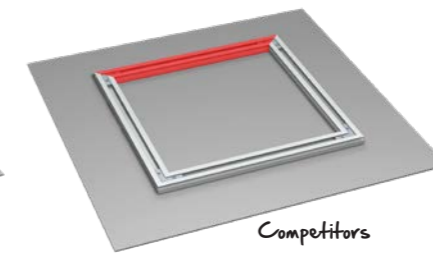
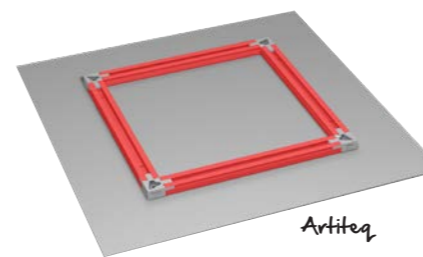


## 1. WALL PROTECTION INCORPORATED

Wall protection is incorporated in the Power Corners.



## 2. LESS TAPE, BETTER LOAD CAPACITY



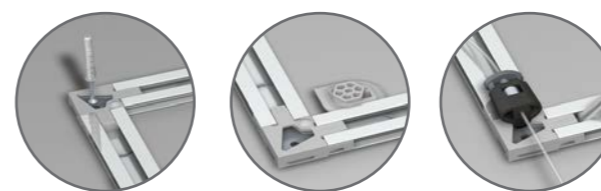
Rigid fixing thanks to steel spring!



Power Corners enable equal weight distribution because of rigid fixing thanks to steel spring in square-cut profiles instead of mitre-cut profiles.

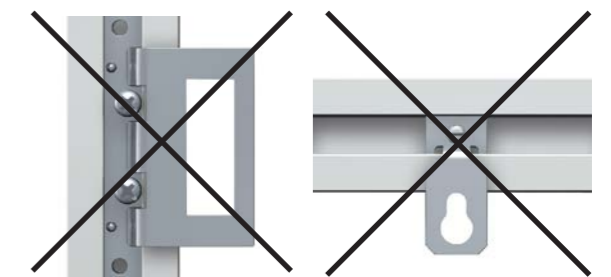
## 3. EASY HANGING: 3 OPTIONS

The Artiteq Back Frame Power Corners provide 3 easy ways of hanging a printed panel : Fixed (1), Secured (2) and Flexible (3).



## 4. NO EXTRA ACCESSORIES NEEDED

The printed panel is hung using the Power Corners, no extra accessories needed.



# ARTITEQ BACK FRAME HANGING SYSTEM



The Back Frame Hanging System is available in 8 mm and 15 mm profiles, both in the versions alu mill finish and silver anodised.

## BACK FRAME HANGING SYSTEM RAIL 8mm

05.16300	05.16301	05.16010
BACK FRAME RAIL 8 mm 300 cm ALU BRUTE	BACK FRAME RAIL 8 mm 300 cm SILVER ANODISED	BACK FRAME POWER CORNER 8 mm (SET OF 4)

## BACK FRAME HANGING SYSTEM RAIL 15mm

05.17300	05.17301	05.17010
BACK FRAME RAIL 15 mm 300 cm ALU BRUTE	BACK FRAME RAIL 15 mm 300 cm SILVER ANODISED	BACK FRAME POWER CORNER 15 mm (SET OF 4)

## BACK FRAME HANGING SYSTEM ADDITIONS

05.16050	05.16055	05.16030	05.16040	05.16060
TAPE 3M 12 mm 33 M	3M VHB CLEANING TISSUES	BACK FRAME SECURITY KEY	BACK FRAME FLEX BUMPER	BACK FRAME SECURITY CLIP (4 CLIPS, 4 PLUGS, 4 SCREWS)

## SET\* BACK FRAME HANGING SYSTEM ON LENGTH INCLUDING 3M TAPE MOUNTED

	SET 2x BACK FRAME RAIL 8 MM 344 MM ALU BRUTE (40CM)	SET 2x BACK FRAME RAIL 8 MM 444 MM ALU BRUTE (50CM)	SET 2x BACK FRAME RAIL 8 MM 544 MM ALU BRUTE (60CM)	SET 2x BACK FRAME RAIL 8 MM 644 MM ALU BRUTE (70CM)	
	05.16725	05.16726	05.16735	05.16745	
	SET 2x BACK FRAME RAIL 8 MM 744 MM ALU BRUTE (80CM)	SET 2x BACK FRAME RAIL 8 MM 844 MM ALU BRUTE (90CM)	SET 2x BACK FRAME RAIL 8 MM 944 MM ALU BRUTE (100CM)	SET 2x BACK FRAME RAIL 8 MM 1044 MM ALU BRUTE (110CM)	
	05.16746	05.16755	05.16756	05.16765	

\* SET DOES NOT INCLUDE POWER CORNERS 8MM

# ARTITEQ BACK FRAME HANGING SYSTEM

**A** For the correct sizing and positioning of the Back Frame Hanging System, we recommend placing the profiles at 100 mm from each side of the printed panel. When glueing the profiles to the back of the printed panels, we recommend using 3M tape (article number 05.16050).

**B** The 8-mm and 15-mm profiles for the Back Frame Hanging System can also be mitre-cut. The profiles will fit with a wide range of accessories available on the market.

**C** We recommend using 3M tape (general advice 3M: 25 cm<sup>2</sup>/kg) for printed panels made of aluminium, hard-foam, forex, acryl and glass. The below table applies when Back Frame Hanging System profiles are applied at max. 100 mm from each of the sides of the printed panel (see A). The table applies for panels with a maximum total weight of 30 kg and a minimum size of 400 x 400 mm.

MATERIAL	THICKNESS	TAPE	FOR SURFACES
Dibond	3-6 mm	Single tape 12 mm	Up to 4 m <sup>2</sup>
Forex	3-5 mm	Single tape 12 mm	Up to 4 m <sup>2</sup>
Acryl	3-5 mm	Single tape 12 mm	Up to 4 m <sup>2</sup>
Glass	6 mm	Double tape 24 mm	Up to 2 m <sup>2</sup>



installation video



# ACCESSORIES FOR FRAMES AND PANELS



D-RING HANGER

SCREW D-RING

ARTICLE NO. 805.249

9.4911



FRAME HANGER  
1-1,5 mm STEELWIRE  
(MAX. 10 kg)

FRAME HANGER  
1,5-2 mm STEELWIRE  
(MAX. 15 kg)

ARTICLE NO. 7805.055

7805.050



SET D-RING  
(1 SET)

SECURITY SET

SET FOLDING EYE  
(12 PIECES)

SET CONCRETE  
HOOKS (4 PIECES)

SET WALL HOOKS  
(12 PIECES)

ARTICLE NO. 4055

4054

4057

4058

4059

## SPOOL



STEELWIRE  
1 mm SPOOL 1x19

STEELWIRE  
1,2 mm SPOOL 1x19

STEELWIRE  
1,5 mm SPOOL 1x19

PERLON  
2 mm SPOOL

ARTICLE NO. 100 m

9.4904

9.4955

9.4990

9.4404

ARTICLE NO. 500 m

-

-

-

9.4421S



PRESSING NIPPLE  
1-1,2 mm

WIRE CLAMP  
1,5 mm ALU

WIRE CLAMP  
2 mm ALU

HANGING NIPPLE

ARTICLE NO. 9.4905

9.4430

9.4431

9.4211

# ACCESSORIES FOR FRAMES AND PANELS



DIBOND HANGER

WALL BRACKET  
SUPPORT DIBOND  
HANGER METAL

ARTICLE NO. 809.510 50 X 52 mm (MAX. 1 KG)

809.020

ARTICLE NO. 809.520 70 X 70 mm (MAX. 2 KG)

ARTICLE NO. 809.530 100 X 100 mm (MAX. 4 KG)

ARTICLE NO. 809.540 100 X 200 mm (MAX. 8 KG)



SPACERS  
TRANSPARENT, SELF-ADHESIVE

SPACERS  
FOAM, SELF-ADHESIVE

ARTICLE NO. 809.001 12,5 x 12,5 x 5,7 mm

809.002 20 x 20 x 15 mm

## MISCELLANEOUS

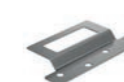


TILE HANGER 1X  
32 mm (MAX. 200 gr)

PLATE HANGER 1X  
18-24 cm (MAX. 1 kg)

ARTICLE NO. 808.130

807.025



FRAME HANGER FOR  
USE WITH WOOD

FRAME HANGER FOR  
USE WITH ALUMINIUM

SET FRAME HANGERS  
L&R

ARTICLE NO. 808.650

808.720

808.600



SET ADHESIVE  
HANGER 30mm  
(8 PIECES)

SET TILE HANGER  
(4 PIECES)

SET FRAMEHOOK +  
HANGING  
(12 PIECES)

ARTICLE NO. 4050

4051

4056



TILT REDUCER  
11x5x29 mm

SET TILT REDUCER  
(2 PIECES)

ARTICLE NO. 805.300

9.6635

## ► DISPLAY HANGING SYSTEMS

### CABLE SYSTEMS

- OPTIMAL PRESENTATION OF DOCUMENTS, PRODUCTS AND SERVICES
- SIMPLE AND QUICK CHANGE OF CONTENT
- FLEXIBLE IN RAIL OR DIRECT MOUNTING ON WALL OR CEILING

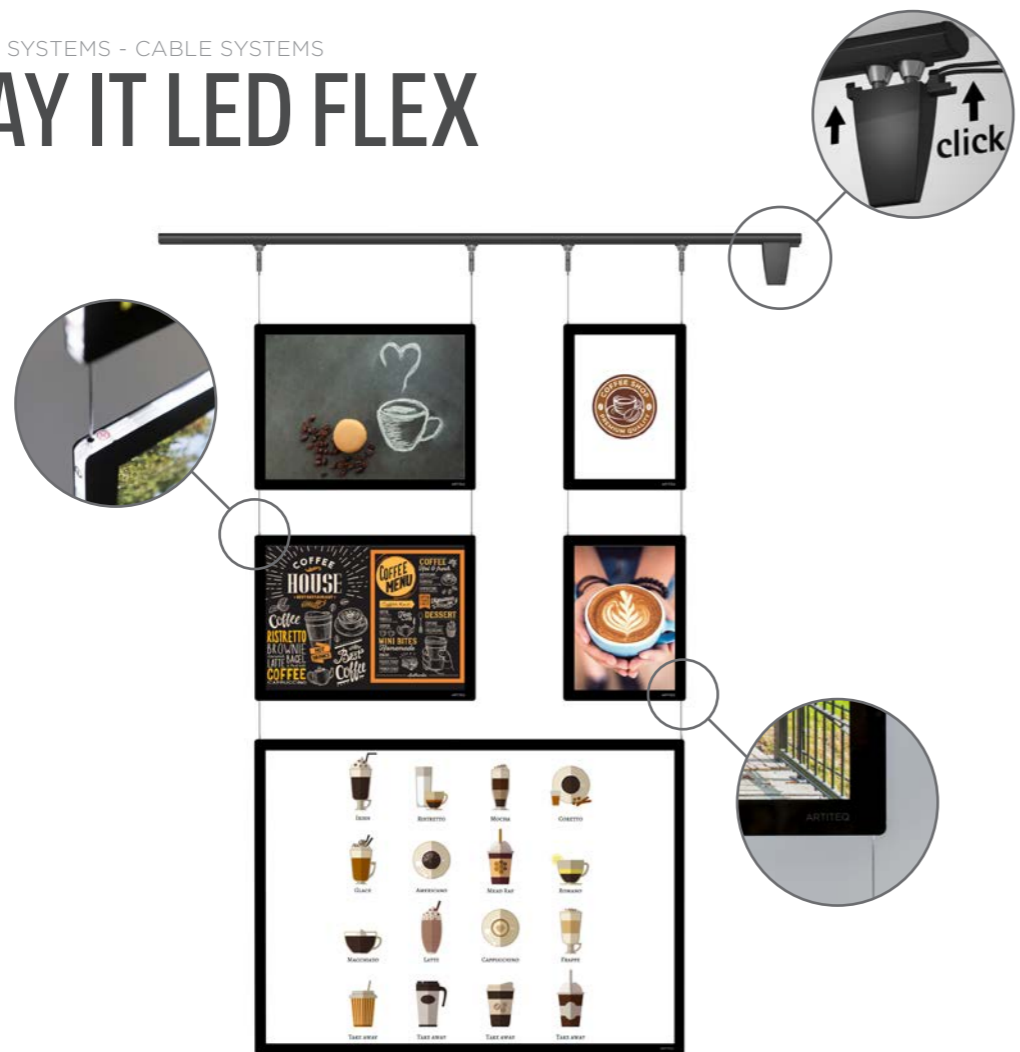
MULTIFUNCTIONAL  
SAFE  
STRONG



Credits: Artiteq Skandinavia



# DISPLAY IT LED FLEX



installation video

## RAIL

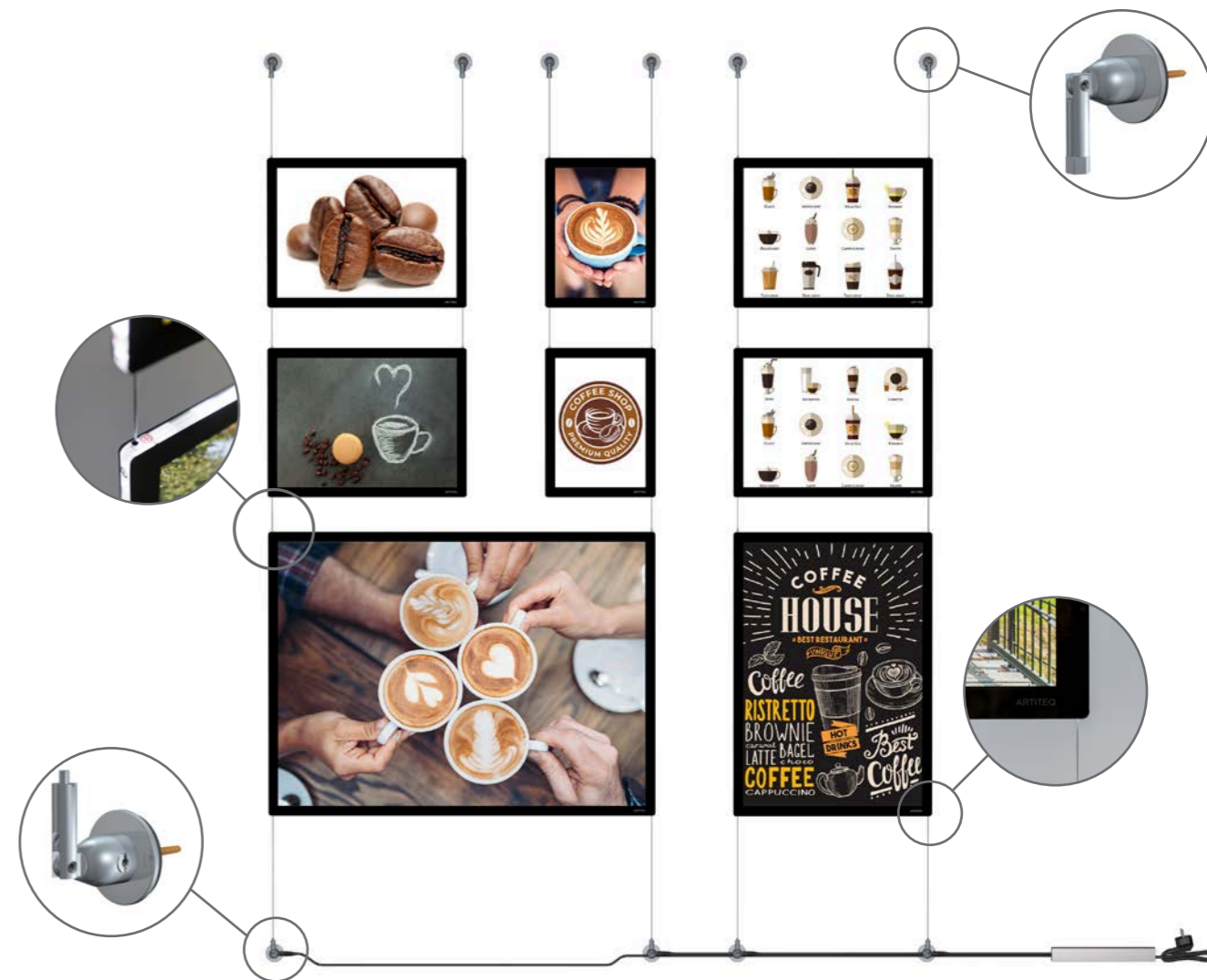
RAIL BLACK*	RAIL BLACK*	HANGING SET	POWER CONNECTOR SET	RAIL COVER CAP BLACK
183 cm	300 cm	2x 300 cm		82/37 x 82 mm
ARTICLE NO. 7720.183	7720.300	7710.010	7710.020	7740.019

\*RAIL INCLUDES FASTENER MATERIAL AND END CAPS

### Make a statement with LED panels

This cable system, with LED lighting, enables documents, products and services to be displayed perfectly. It is ideal as a display system in display cabinets, where the information can stand out both day and night! The rail can be mounted to the wall or the ceiling. The adaptors can be twisted into and out of the rail in an instant, allowing flexible use of the system.

# DISPLAY IT LED FIXED



### An eye-catcher on the wall

The Display It LED Fixed cable system is mounted to the wall or ceiling and because of the LED panels, this creates a striking display. Like the Flex version, the Display It LED Fixed can be used in display cabinets or in other places in a building. The content of the panels can be changed in no time.

## SET STEELWIRE

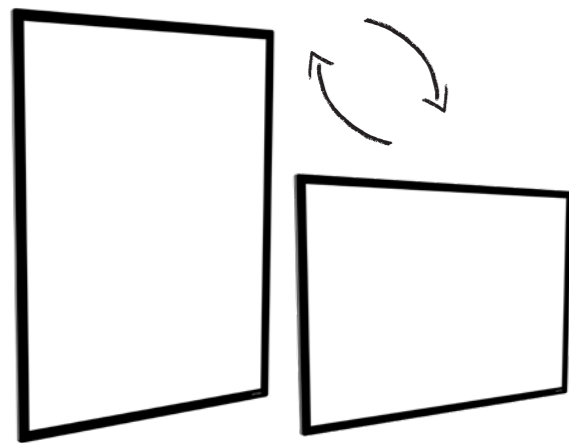
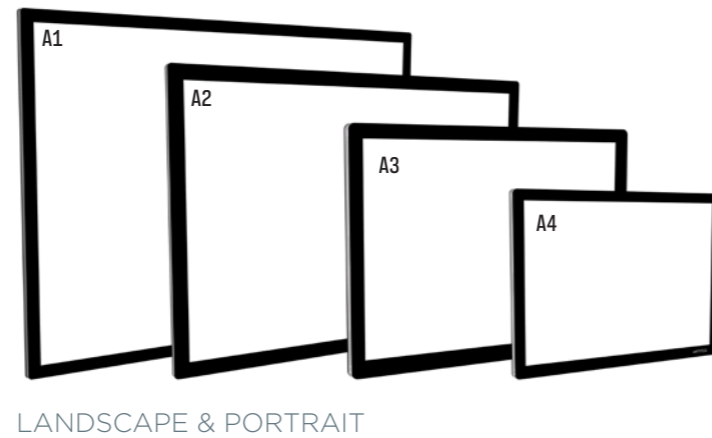
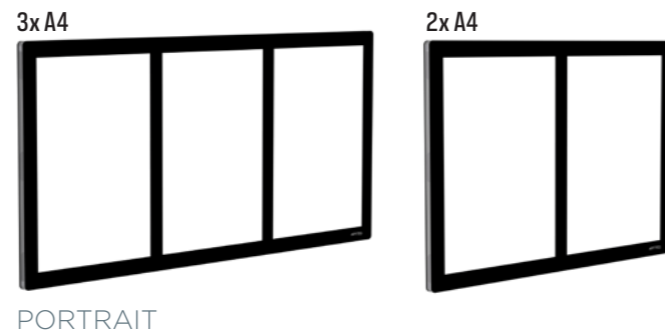
HANGING SET
2x 300 cm
ARTICLE NO. 7710.030

# DISPLAY IT LED PANELS

The A3, A4, A2 and A1 LED panels can be used in landscape and portrait format. The 2x A4 and 3x A4 LED panels can only be used in portrait format. All LED panels are equipped with bright LED lighting. The steel cables run through an auto-grip mechanism through the LED panels, connecting these together. This gives a professional, streamlined display and allows the height of the panels to be quickly and easily adjusted. This system allows double-sided displays: translucent paper can be inserted into the front and back of the LED panels.

## LED PANELS

ARTICLE NO.	7700.004	<b>A4 (landscape &amp; portrait)</b>	9 watt
ARTICLE NO.	7700.003	<b>A3 (landscape &amp; portrait)</b>	17 watt
ARTICLE NO.	7700.002	<b>A2 (landscape &amp; portrait)</b>	22 watt
ARTICLE NO.	7700.001	<b>A1 (landscape &amp; portrait)</b>	48 watt
ARTICLE NO.	7700.020	<b>2x A4 (portrait only)</b>	17 watt
ARTICLE NO.	7700.021	<b>3x A4 (portrait only)</b>	24 watt



## PREMIUM NEVERTEAR BACKLIT PAPER

**xerox**

7706.004	<b>A4</b>
7706.003	<b>A3</b>

## TRANSFORMERS

<b>TRANSFORMER*</b>	<b>TRANSFORMER DIMMABLE**</b>
<b>60 VA</b>	<b>200 VA</b>
ARTICLE NO. 7730.060	ARTICLE NO. 7730.200
	ARTICLE NO. 7730.150CA

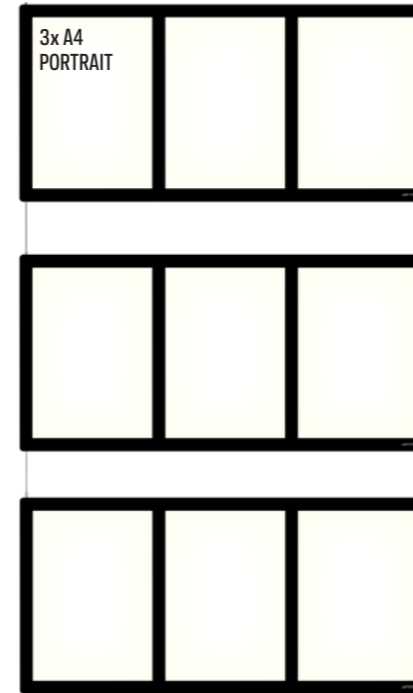
\* TOTAL LENGTH OF CABLE TRANSFORMER 5m  
 \*\* ONLY USABLE WITH APP 'CASAMBI'



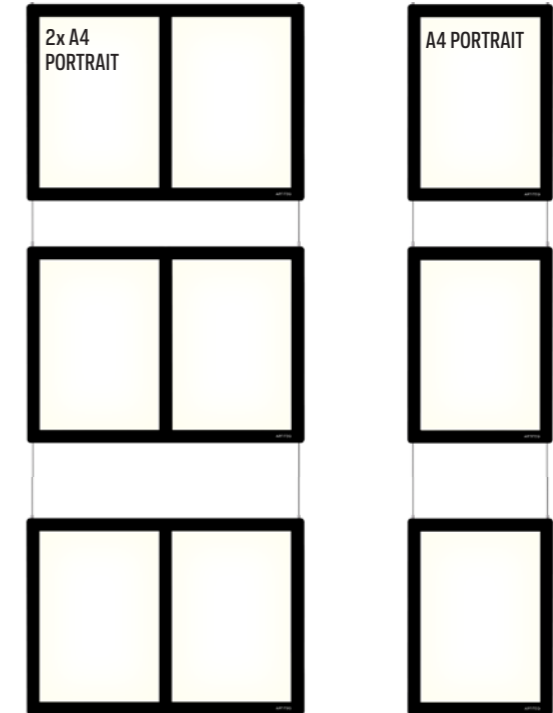
# DISPLAY IT LED PANELS

## POSSIBLE COMBINATIONS:

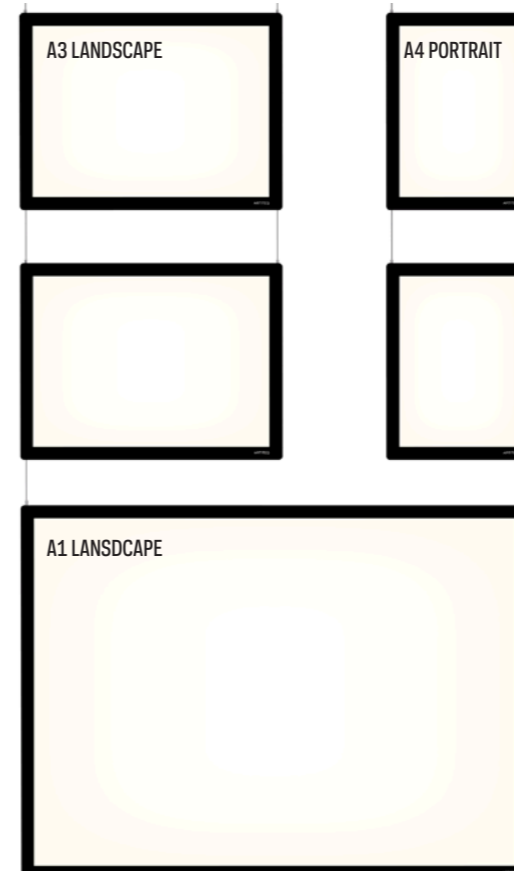
### COMBINATION A



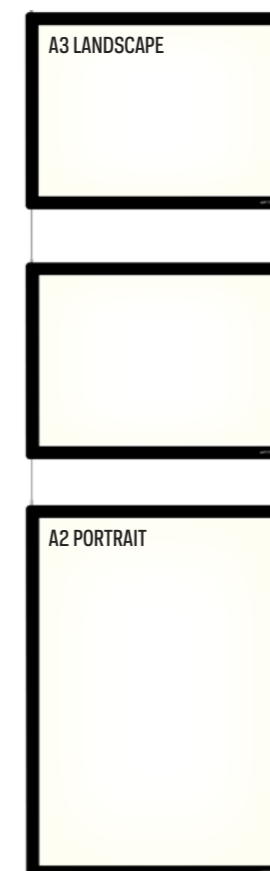
### COMBINATION B



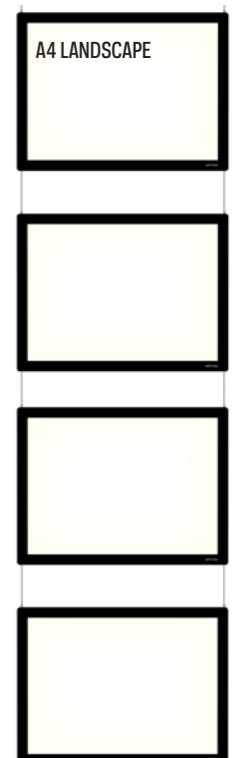
### COMBINATION C



### COMBINATION D



### COMBINATION E





# DISPLAY IT FIXED

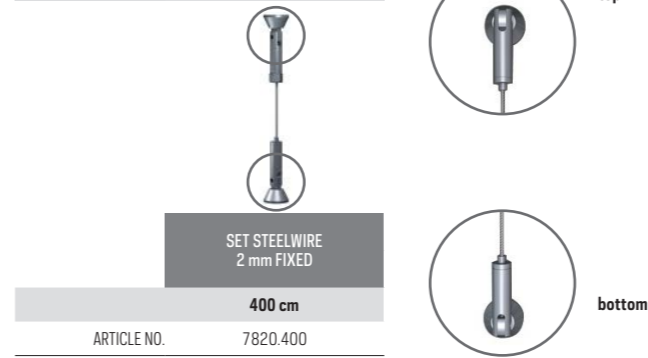


**Display It: professional and orderly**

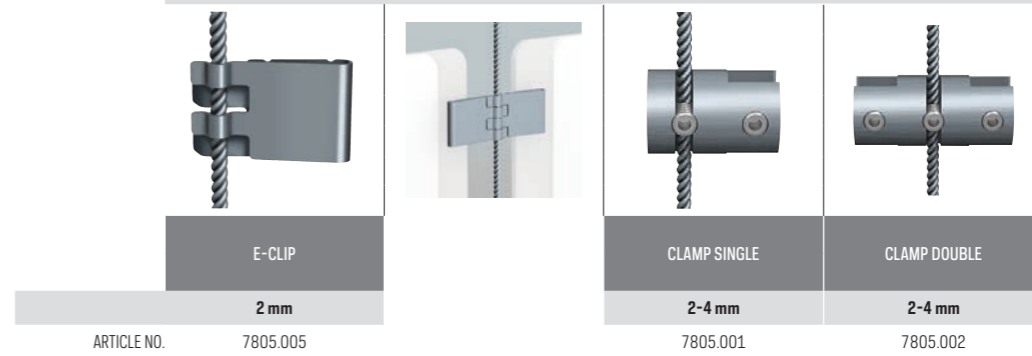
The Display It presentation system gives you a professional and orderly way to display your announcements or documents. The system's acrylic frames are easy to mount and adjust to the desired height. Thanks to the E-Clip for Display It, you can change the contents of the acrylic frames in seconds. The clip also makes it easy to connect the frames to one another, making both horizontal and vertical displays possible. This display system is ideal for estate agents and is often used as a 'face wall' for photos of staff displayed on the wall in hospitals and other institutions. Display It is available in Flex and Fixed mounting models. The Display It Flex version is used in combination with a hanging rail and stainless steel rods that are easy to reposition along the rail.

# DISPLAY IT FIXED

**SET STEELWIRE**

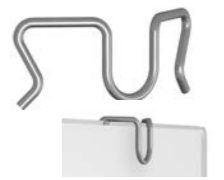


**CLAMPS**



**DISPLAYS**

ARTICLE NO.	7803.211	2 mm A4	30 x 21 cm LANDSCAPE
ARTICLE NO.	7803.212	2 mm A4	21 x 30 cm PORTRAIT
ARTICLE NO.	7803.301	2 mm A3	42 x 30 cm LANDSCAPE
ARTICLE NO.	7803.302	2 mm A3	30 x 42 cm PORTRAIT



SPRING DISPLAY IT METAL  
7805.006

**ALL-IN SET**



EASY TO CHANGE CONTENT

# DISPLAY IT FLEX



### Display It: professional and orderly

The Display It presentation system gives you a professional and orderly way to display your announcements or documents. The system's acrylic frames are easy to mount and adjust to the desired height. Thanks to the E-Clip for Display It, you can change the contents of the acrylic frames in seconds. The clip also makes it easy to connect the frames to one another, making both horizontal and vertical displays possible. This display system is ideal for estate agents and is often used as a 'face wall' for photos of staff displayed on the wall in hospitals and other institutions. Display It is available in Flex and Fixed mounting models. The Display It Flex version is used in combination with a hanging rail and stainless steel rods that are easy to reposition along the rail.

# DISPLAY IT FLEX

CAN BE USED WITH ALL ARTITEQ PICTURE HANGING SYSTEMS



EASY TO CHANGE CONTENT



### RODS

	TWISTER 2 mm ROD STAINLESS STEEL	TWISTER 2 mm ROD WHITE
	200 cm	200 cm
ARTICLE NO.	9.4188	9.4198

### CLAMPS

	E-CLIP	CLAMP SINGLE	CLAMP DOUBLE
	2 mm	2-4 mm	2-4 mm
ARTICLE NO.	7805.005	7805.001	7805.002



installation video

### DISPLAYS

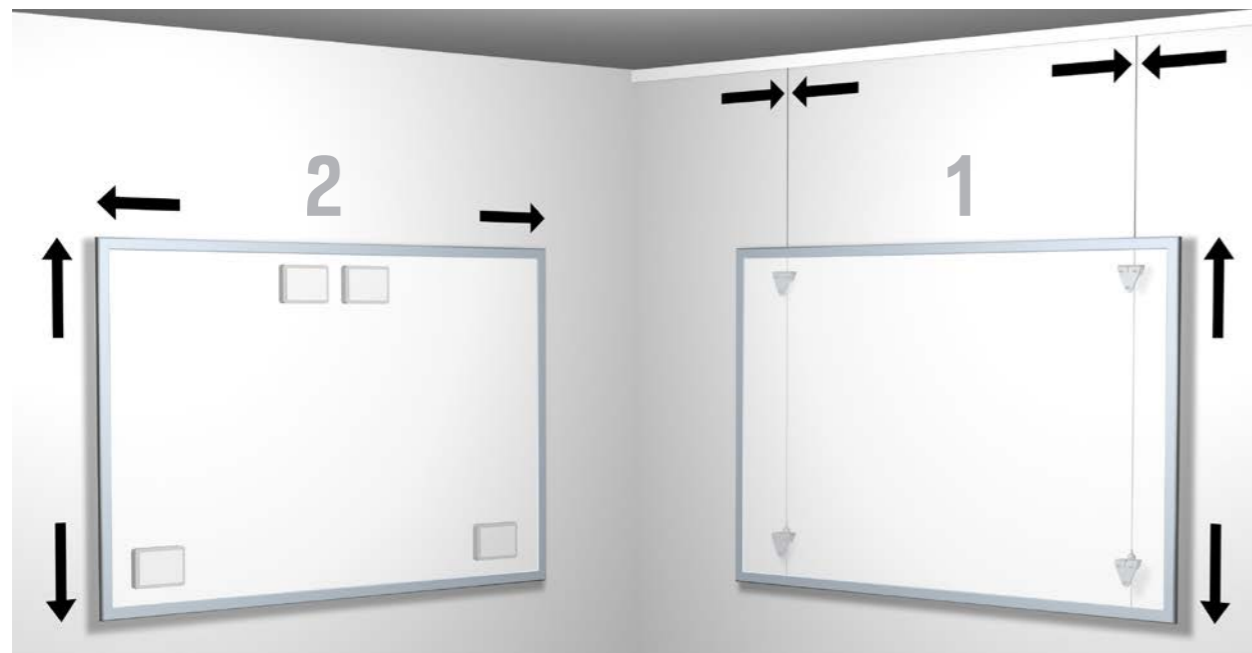
	ARTICLE NO.	7803.211	2 mm A4	30 x 21 cm LANDSCAPE
	ARTICLE NO.	7803.212	2 mm A4	21 x 30 cm PORTRAIT
	ARTICLE NO.	7803.301	2 mm A3	42 x 30 cm LANDSCAPE
	ARTICLE NO.	7803.302	2 mm A3	30 x 42 cm PORTRAIT



SPRING DISPLAY IT METAL  
7805.006



# HANGING WHITEBOARDS



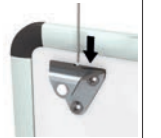
There are a variety of ways to hang a whiteboard on the wall. Hanging a whiteboard with the aid of the Whiteboardset offers the option of repositioning the whiteboard either horizontally or vertically. The Artiteq Whiteboardset has been designed to make it easy to hang a whiteboard on the wall, and offers flexibility since it may be used in combination with our hanging rails. The clamps ensure a stable mounting of the whiteboard to the wall. By combining the Whiteboardset with the hanging rail, it is extremely easy to mount the whiteboard to the precise desired spot.

# WHITEBOARDSET / HANGING MAGNET FOR WHITEBOARDS



MAX  
**30**  
KG/M

**10**  
YEAR  
WARRANTY



## WHITEBOARDSET



WHITEBOARDSET  
(HANGING WIRE  
NOT INCLUDED)\*

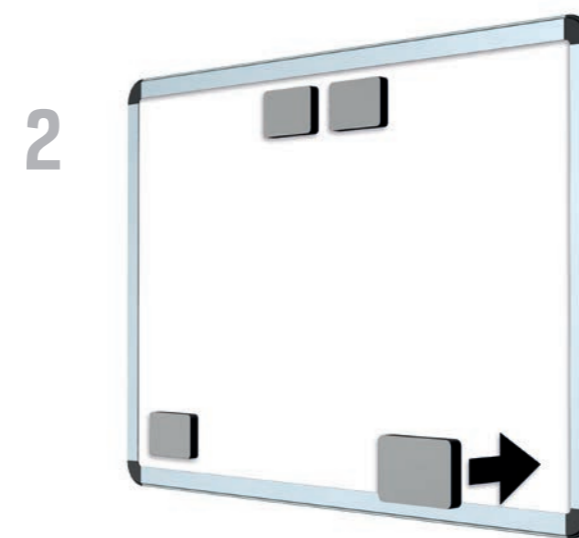
CLAMP UP

CLAMP DOWN

SCREW 10 mm

ARTICLE NO. 9.4550

CAN BE USED IN COMBINATION WITH ALL ARTITEQ PICTURE HANGING SYSTEMS  
\* TO BE USED WITH TWISTER 2 mm STEELWIRE (SEE PAGE 64)



## SELF-ADHESIVE HANGING MAGNET FOR WHITEBOARDS

7430.001

SELF-ADHESIVE HANGING MAGNET FOR WHITEBOARDS

75 x 50 x 11 mm

MAX. 3 kg

## ► DISPLAY HANGING SYSTEMS

### RAIL SYSTEMS

- FLEXIBLE PRESENTATION OF DRAWINGS, DOCUMENTS AND INFORMATION
- DIRECT WALL MOUNTING
- SIMPLE AND QUICK CHANGE OF DRAWINGS
- EXPAND WITH ADDITIONAL ACCESSORIES

FLEXIBLE  
MULTIFUNCTIONAL  
EASE-OF-USE






















# INFO RAIL



> 80  
< 2<sup>G</sup>  
MM

**10**  
YEAR  
WARRANTY

## INFO RAIL

	05.55025	<b>INFO RAIL WHITE</b>	25 cm	INCLUDES FASTENER MATERIAL AND END CAPS
	05.55050	<b>INFO RAIL WHITE</b>	50 cm	INCLUDES FASTENER MATERIAL AND END CAPS
	05.55100	<b>INFO RAIL WHITE</b>	100 cm	INCLUDES FASTENER MATERIAL AND END CAPS
	05.55200	<b>INFO RAIL WHITE</b>	200 cm	INCLUDES FASTENER MATERIAL AND END CAPS
	05.55300	<b>INFO RAIL WHITE</b>	300 cm	INCLUDES FASTENER MATERIAL AND END CAPS
	05.54025	<b>INFO RAIL ALU</b>	25 cm	INCLUDES FASTENER MATERIAL AND END CAPS
	05.54050	<b>INFO RAIL ALU</b>	50 cm	INCLUDES FASTENER MATERIAL AND END CAPS
	05.54100	<b>INFO RAIL ALU</b>	100 cm	INCLUDES FASTENER MATERIAL AND END CAPS
	05.54200	<b>INFO RAIL ALU</b>	200 cm	INCLUDES FASTENER MATERIAL AND END CAPS
	05.54300	<b>INFO RAIL ALU</b>	300 cm	INCLUDES FASTENER MATERIAL AND END CAPS
	05.56025	<b>INFO RAIL BLACK STRUCTURE</b>	25 cm	INCLUDES FASTENER MATERIAL AND END CAPS
	05.56100	<b>INFO RAIL BLACK STRUCTURE</b>	100 cm	INCLUDES FASTENER MATERIAL AND END CAPS
	05.56200	<b>INFO RAIL BLACK STRUCTURE</b>	200 cm	INCLUDES FASTENER MATERIAL AND END CAPS
	05.55200M	<b>INFO RAIL MAGNETIC WHITE</b>	200 cm	INCLUDES FASTENER MATERIAL, END CAPS AND 4 MOUSE MAGNETS
	05.47160	<b>END CAP INFO RAIL WHITE (L&amp;R)</b>		
	05.47150	<b>END CAP INFO RAIL GREY (L&amp;R)</b>		
	05.47170	<b>END CAP INFO RAIL BLACK (L&amp;R)</b>		



The Info Rail is the ideal display system for displaying cards, posters, drawings and photos on the wall. Thanks to the Info Rail, you can create a tidy, orderly display of your documents. This system means no more damaged walls from thumbtacks, tape and so on, and changing drawings or posters is fast and easy. This hanging system has become particularly indispensable in classrooms and school corridors. The Info Rail is also an ideal system for displaying or sharing information at home and the office.



### Easy assembly thanks to clips

The Info Rail has been developed for hanging documents using a triple rubber clamping mechanism in the rail. Paper from 80 g to cardboard 2 mm thick can be firmly clamped into the rail. After mounting the Click & Connect clips to the wall, it's easy to attach the Info Rail to the clips. Available in different lengths, the Info Rail is easy to link to other Info Rails or shortened. Whether you want to display photos or drawings or keep recipes within easy reach, the Info Rail offers the solution.



Make the Info Rail versatile using the accessories *me*-clip, Clip Hanger, Support Clip and Storage Clip. See next page for more information.

# me-CLIP AND CLIP HANGER



me-CLIP			
	05.47100	me-CLIP BLACK	44,5(h) x 74(b) x 13(d) mm
	05.47110	me-CLIP WHITE	44,5(h) x 74(b) x 13(d) mm



CLIP HANGER			
	05.47200	CLIP HANGER BLACK	59(h) x 8,5(b) x 23(d) mm
	05.47210	CLIP HANGER WHITE	59(h) x 8,5(b) x 23(d) mm



## me-clip – personal and organised

The *me-clip* adds an extra personal and beautifully designed element to the Info Rail system. A name can be added to the contents of the clip. A great solution for the perfect presentation and communication tool. The clip is always adaptable and always keeps its 100% quality appearance, no matter how often the clip is used. It's handy, and directly and rapidly adaptable thanks to Info Rail's smart, flexible properties.

## Clip Hanger


With a simple click, the Clip Hanger is attached to the Info Rail, allowing a craft project to be hung up. In combination with the *me-clip*, art creations can be presented in a fun and personal manner.



# INFO RAIL *me*



## INFO RAIL *me* ALL-IN SET

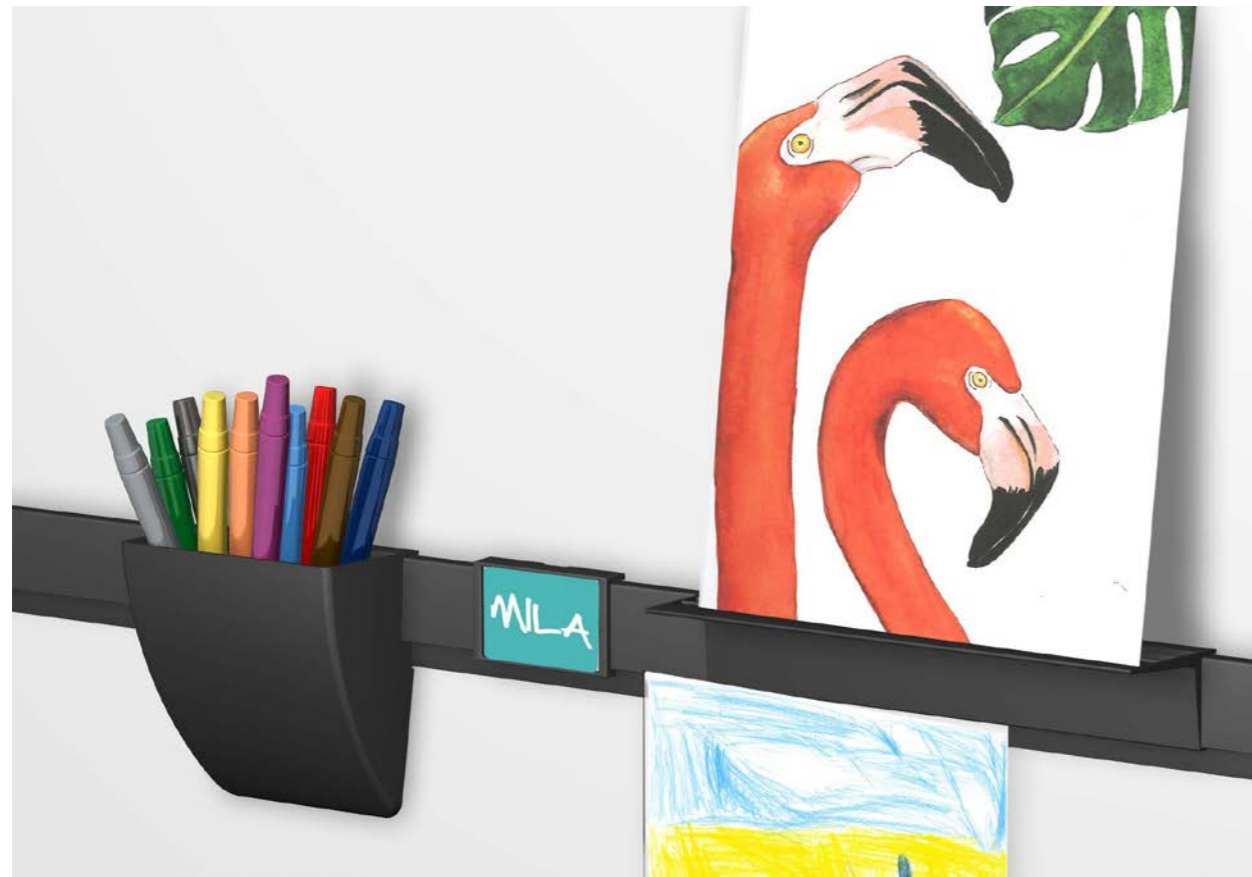
	05.53100	INFO RAIL ME WHITE	100 cm	includes 4 x <i>me-clip</i>	INCLUDES FASTENER MATERIAL AND END CAPS
	05.53200	INFO RAIL ME WHITE	200 cm	includes 4 x <i>me-clip</i>	INCLUDES FASTENER MATERIAL AND END CAPS



FLEXIBLE  
MULTIFUNCTIONAL  
EASE-OF-USE



# STORAGE CLIP AND SUPPORT CLIP



## Two useful additional accessories

The Support Clip and Storage Clip are two useful additional accessories for on the Info Rail and Info Rail Magnetic.

Both accessories add an extra dimension and element to the Info Rail concept. With the Support Clip, you can easily present small crafts, greeting cards, small frames or paintings on canvas. The Support Clip is simply attached to the rail at any desired location. On the 6cm wide and 25cm long surface, changing small crafts, greeting cards or small frames is easy and quick.

The subtle grooves ensure that the presented products remain securely in place. The Storage Clip is a practical additional storage compartment for pens, markers or other small items. Just like the Support Clip, the Storage Clip is simply attached to the rail at any desired location. The stylish round shape has a timeless appeal. Both accessories are available in black and white.

### STORAGE CLIP



05.47400

**STORAGE CLIP BLACK**

60 (h) x 126 (b) x 123 (d) mm

05.47410

**STORAGE CLIP WHITE**

60 (h) x 126 (b) x 123 (d) mm



installation video

### SUPPORT CLIP



05.47300

**SUPPORT CLIP BLACK**

60 (h) x 250 (b) x 42 (d) mm

05.47310

**SUPPORT CLIP WHITE**

60 (h) x 250 (b) x 42 (d) mm

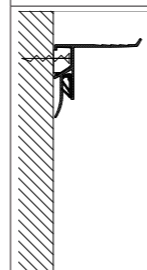
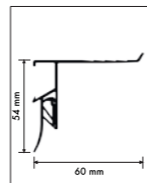


installation video





# INFO RAIL+



> 80  
< 2<sup>G</sup>  
MM

max.  
**5**  
KG/M

**10**  
YEAR  
WARRANTY



installation  
video

## Versatile presentation system on the wall

With Info Rail + you can create a versatile presentation system on the wall. Photos, drawings or recipes are easily clamped into the rail, as you may already be used to from our Info Rail. On top is a 6 cm wide area where small photo frames, canvas paintings, greeting cards or other small crafts can be presented. An ideal, flexible and versatile presentation system where walls do not need to be damaged and the changing of drawings, posters or frames is quick and easy. Paper from 80 g up to cardboard with a thickness of 2 mm are firmly clamped in the rail thanks to a double plastic clamping mechanism. The top surface of 6 cm has some subtle grooves to present a card or a list stably.

### INFO RAIL +



05.57200

INFO RAIL + WHITE

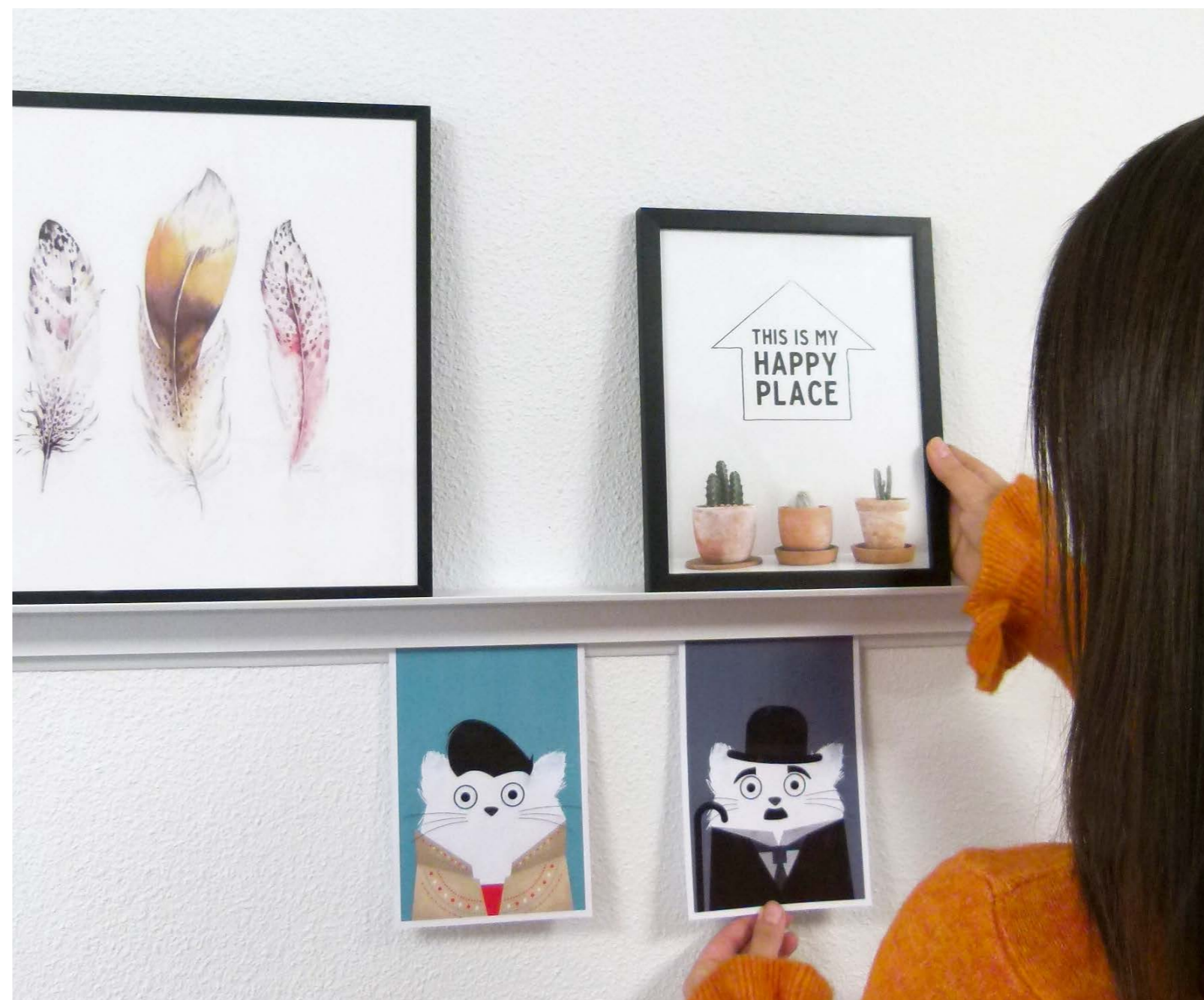
200 cm

INCLUDES FASTENER MATERIAL AND END CAPS



05.47180

END CAP INFO RAIL + WHITE (L&R)





# CARD RAIL



CARD RAIL	
1x	4x
CARD RAIL WHITE (RAL 9016) FASTENER MATERIAL AND END CAPS INCLUDED	MOUSE MAGNETS WHITE
ARTICLE NO. 7220.110	

EXTRA / OPTIONAL		
	7430.010	MOUSE MAGNETS COLOUR
	7430.020	MOUSE MAGNETS WHITE



Credits: @rohouseproud

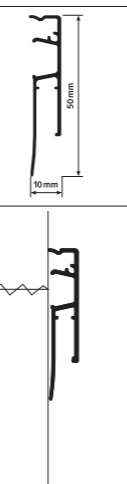
### Practical use of narrow wall spaces

This vertical display system takes up little space and can therefore be used in many places in an office or home. The Card Rail is a hanging system for, for example, cards and photos and this is a useful system for collecting or displaying these. The cards and photos can be slid into both sides of the rail. The Card Rail also has a magnetic strip, which can also be used to display photos, cards, etc. The Mouse Magnets can be used on the front of the Card Rail. This display system can be a practical addition to the wall in especially an office, kitchen or child's bedroom.

The Card Rail has a sleek, white finish, RAL 9016 (can be repainted) and is 114 cm in length. Ideal for use in narrow wall spaces in different areas of the home or office.



# SMART POCKET RAIL



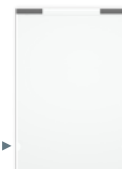
**SMART POCKETS A3/A4**  
**10**  
YEAR WARRANTY



## SMART POCKET RAIL



05.61100	<b>SMART POCKET RAIL BLACK</b>	100 cm	INCLUDES FASTENER MATERIAL + END CAPS
05.61200	<b>SMART POCKET RAIL BLACK</b>	200 cm	INCLUDES FASTENER MATERIAL + END CAPS
05.60200	<b>SMART POCKET RAIL WHITE PRIMER</b>	200 cm	INCLUDES FASTENER MATERIAL + END CAPS



7804.210	<b>SMART POCKET A4 (21 X 30 cm)</b>	PORTRAIT
7804.310	<b>SMART POCKET A3 (30 X 42 cm)</b>	PORTRAIT
7804.220	<b>SMART POCKET A4 (30 X 21 cm)</b>	LANDSCAPE
7804.320	<b>SMART POCKET A3 (42 X 30 cm)</b>	LANDSCAPE

EASY TO CHANGE CONTENT

### Stylish presentation of pictures, ideas and information

A speedy solution for improved, more stylish presentation of pictures, ideas and information. From charts and models to photos of employees. The Smart Pocket Rail can be used for a very wide range of applications and is suitable for internal and external use.

It is an ideal system for presenting content in a vivid way. It also transforms a boring wall into a dynamic part of the room.

The Smart Pocket Rail is mounted to the wall with clips. You can easily click the acrylic pockets into this rail. You can choose from an A4 or A3 size. Because of the notch at the back and side of the pocket, you can change the content very quickly and easily,

without having to remove the smart pockets from the rail.





## ▶ DISPLAY HANGING SYSTEMS

### MISCELLANEOUS

FLEXIBLE  
HIGH QUALITY  
MULTIFUNCTIONAL

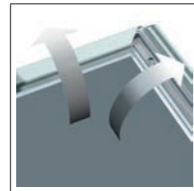




# CLICK FRAMES AND POSTER SYSTEMS



## CLICK FRAMES

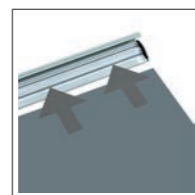


7020.021      **CLICK FRAME 20 mm A4 21 x 30 cm**

7025.030      **CLICK FRAME 25 mm A3 30 x 42 cm**

7025.042      **CLICK FRAME 25 mm A2 42 x 60 cm**

## POSTER SYSTEMS



7350.050      **POSTER SNAP 50 cm**

7350.070      **POSTER SNAP 70 cm**

7350.100      **POSTER SNAP 100 cm**

7350.120      **POSTER SNAP 120 cm**





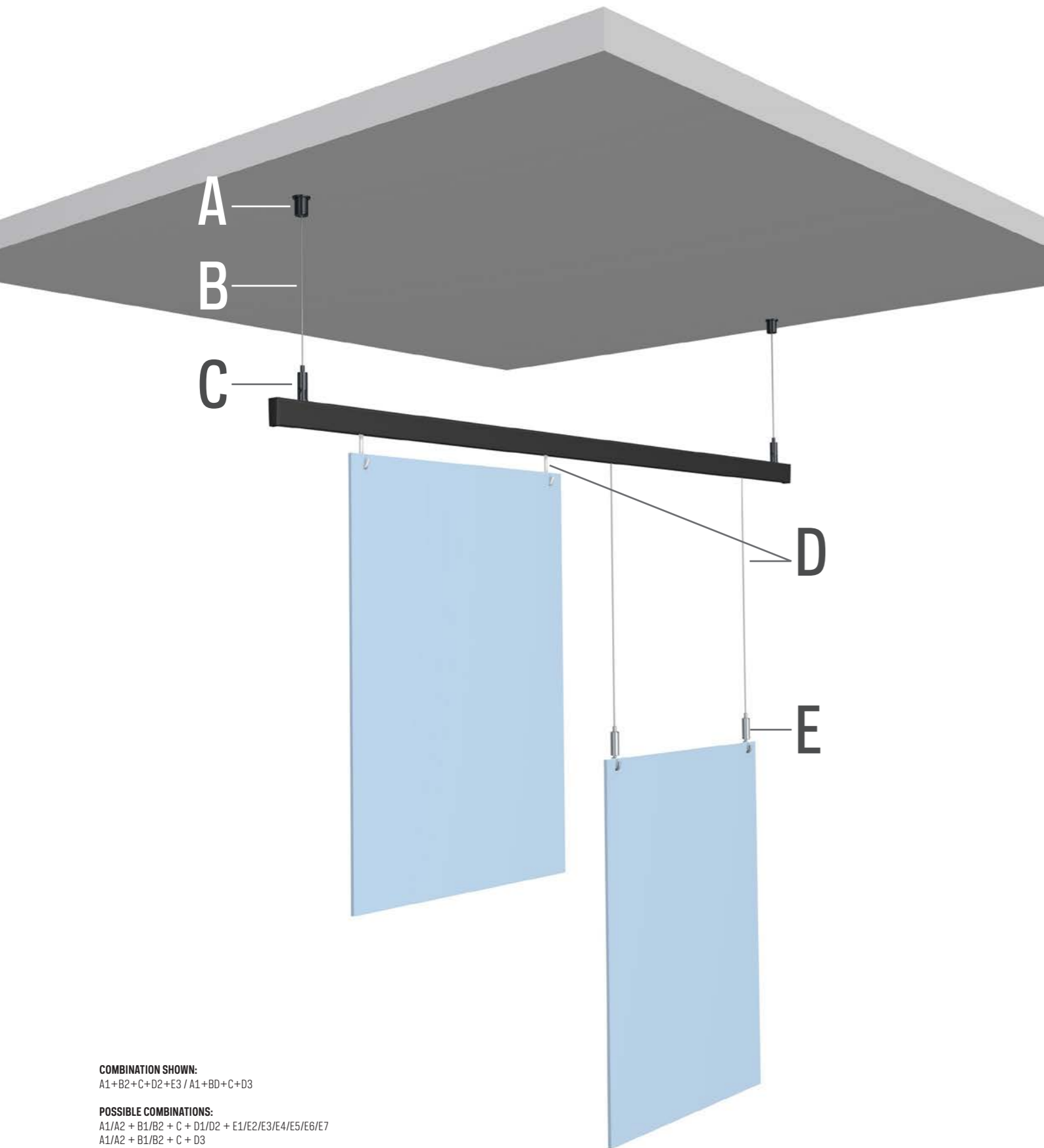
## ► SIGN HANGING SYSTEMS

- SIGNAGE INSIDE BUILDING
- HANGING ACOUSTIC PANELS FROM THE CEILING
- POSSIBILITIES FOR CEILINGS AND RECESSED CEILINGS
- VARIOUS COMBINATIONS POSSIBLE



PROFESSIONAL  
SAFE  
FLEXIBLE

# XPO RAIL LOW HANGING



**COMBINATION SHOWN:**  
A1+B2+C+D2+E3 / A1+BD+C+D3

**POSSIBLE COMBINATIONS:**  
A1/A2 + B1/B2 + C + D1/D2 + E1/E2/E3/E4/E5/E6/E7  
A1/A2 + B1/B2 + C + D3  
A3 + B3/B4/B5 + C + D1/D2 + E1/E2/E3/E4/E5/E6/E7  
A3 + B3/B4/B5 + C + D3

# XPO RAIL LOW HANGING

A	A1			A2			A3
CEILING BRACKET BLACK CO1BL	PLUG (Ø 5 mm)	SCREW	CEILING BRACKET NICKEL CO1NI	PLUG (Ø 5 mm)	SCREW	CEILING SUSPENSION AUTO GRIP 1,2 mm CS01NI	
7807.100	9.4931	9.4929	7807.110	9.4931	9.4929	7807.140	

B	B1	B2	B3	B4	B5
STEELWIRE + SLIDER 1,2 mm 200 cm BLACK	STEELWIRE + SLIDER 1,2 mm 200 cm NICKEL	STEELWIRE 7 x 7 1,2 mm 10 m*	STEELWIRE BLACK 7 x 7 1,2 mm 3 m*	STEELWIRE 7 x 7 1,2 mm SPOOL 100 m*	
7807.200	7807.210	7807.350	7807.360	9.4907	

C	C		
SUSPENSION BRACKET XPO RAIL 1,2 mm	XPO RAIL 200 cm BLACK	END CAP XPO RAIL BLACK	
7807.060	05.15201	05.15030	

D	D1	D2	D3
STEELWIRE + SLIDER 1,2 mm 200 cm BLACK	STEELWIRE + SLIDER 1,2 mm 200 cm NICKEL	TWISTER HOOK	
7807.200	7807.210	9.4510	

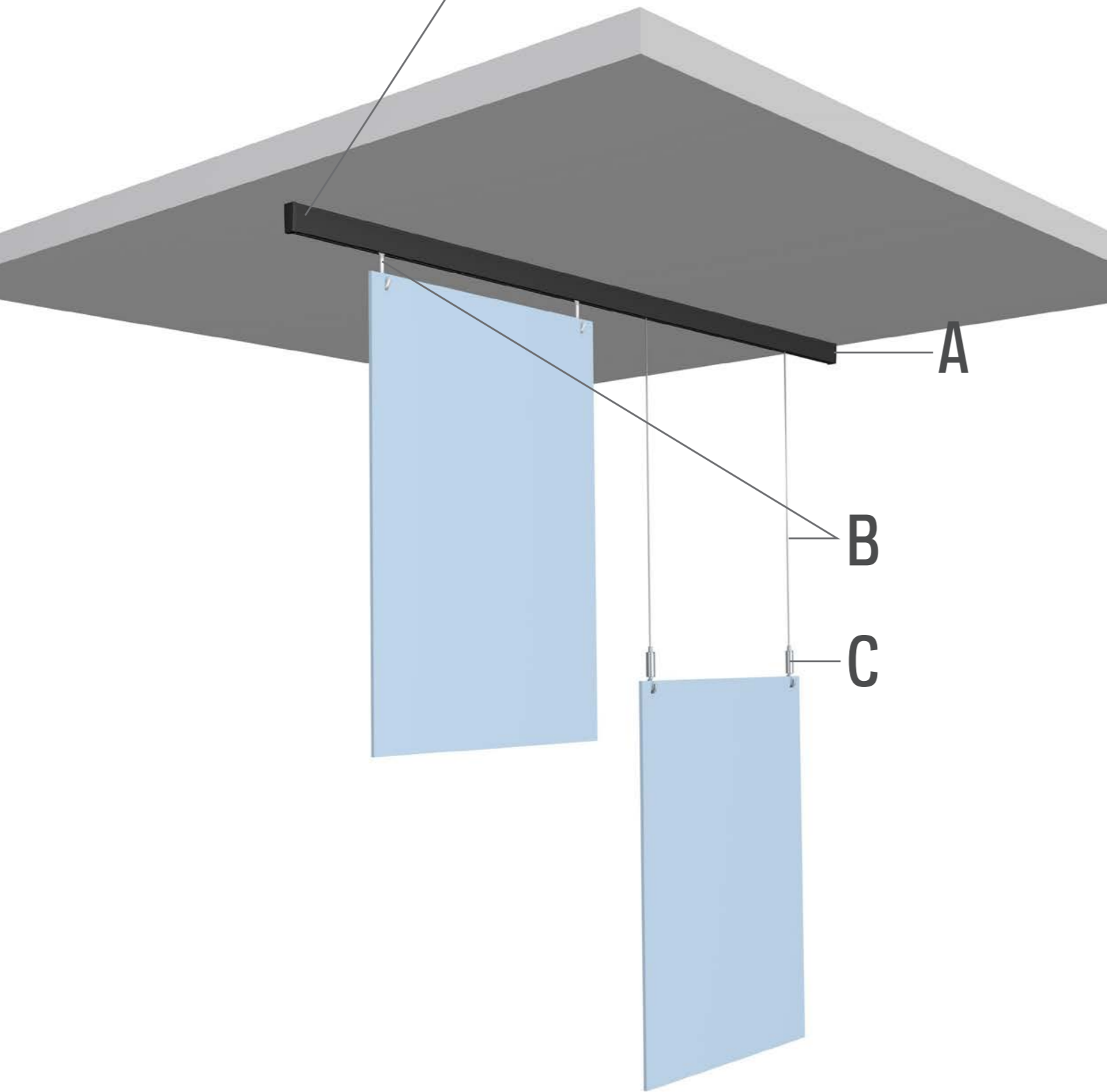
  

E	E1	E2	E3	E4	E5	E6	E7
STEELWIRE HOOK AUTO GRIP 1,2 mm ST01BL	STEELWIRE HOOK AUTO GRIP 1,2 mm ST01NI	STEELWIRE HOOK AUTO GRIP 1,2 mm ST02NI	STEELWIRE HOOK AUTO GRIP 1,2 mm ST03NI	STEELWIRE CLAMPHOOK AUTO GRIP 1,2 mm STC01NI	STEELWIRE HOOK AUTO GRIP 1,2mm STD01NI NICKEL	STEELWIRE HOOK AUTO GRIP 1,2mm STD01BL BLACK	
7807.010	7807.020	7807.030	7807.040	7807.050	7807.080	7807.070	

\* CABLE CUTTER 7807.900 AVAILABLE FOR USE WITH STEELWIRE 7 x 7 1,2mm



# XPO RAIL



**COMBINATION SHOWN:**  
A + B3  
A + B1 + C3

**POSSIBLE COMBINATIONS:**  
A + B1/B2 + C1/C2/C3/C4/C5/C6/C7  
A + B3

# XPO RAIL

A						
				<b>20</b>		
XPO RAIL 200 cm BLACK	XPO RAIL 200 cm WHITE PRIMER	XPO RAIL 200 cm ALU BRUSHED		KG/M		
05.15201	05.15200	05.15202				
A						
END CAP XPO RAIL BLACK	END CAP XPO RAIL WHITE	CLIP CLICK&CONNECT XPO RAIL	PLUG (Ø 5 mm)	SCREW	FASTENER KIT XPO RAIL WHITE 200 CM	FASTENER KIT XPO RAIL BLACK/ALU 200 CM
05.15030	05.15020	05.15010	9.4929	9.4931	5092	5093
B1		B2		B3		
STEELWIRE + SLIDER 1,2 mm 200 cm BLACK	STEELWIRE + SLIDER 1,2 mm 200 cm NICKEL	TWISTER HOOK				
7807.200	7807.210	9.4510				
C						
STEELWIRE HOOK AUTO GRIP 1,2 mm ST01BL	STEELWIRE HOOK AUTO GRIP 1,2 mm ST01NI	STEELWIRE HOOK AUTO GRIP 1,2 mm ST02NI	STEELWIRE HOOK AUTO GRIP 1,2 mm ST03NI	STEELWIRE CLAMPHOOK AUTO GRIP 1,2 mm STC01NI	STEELWIRE HOOK AUTO GRIP 1,2mm STD01NI NICKEL	STEELWIRE HOOK AUTO GRIP 1,2mm STD01BL BLACK
7807.010	7807.020	7807.030	7807.040	7807.050	7807.080	7807.070

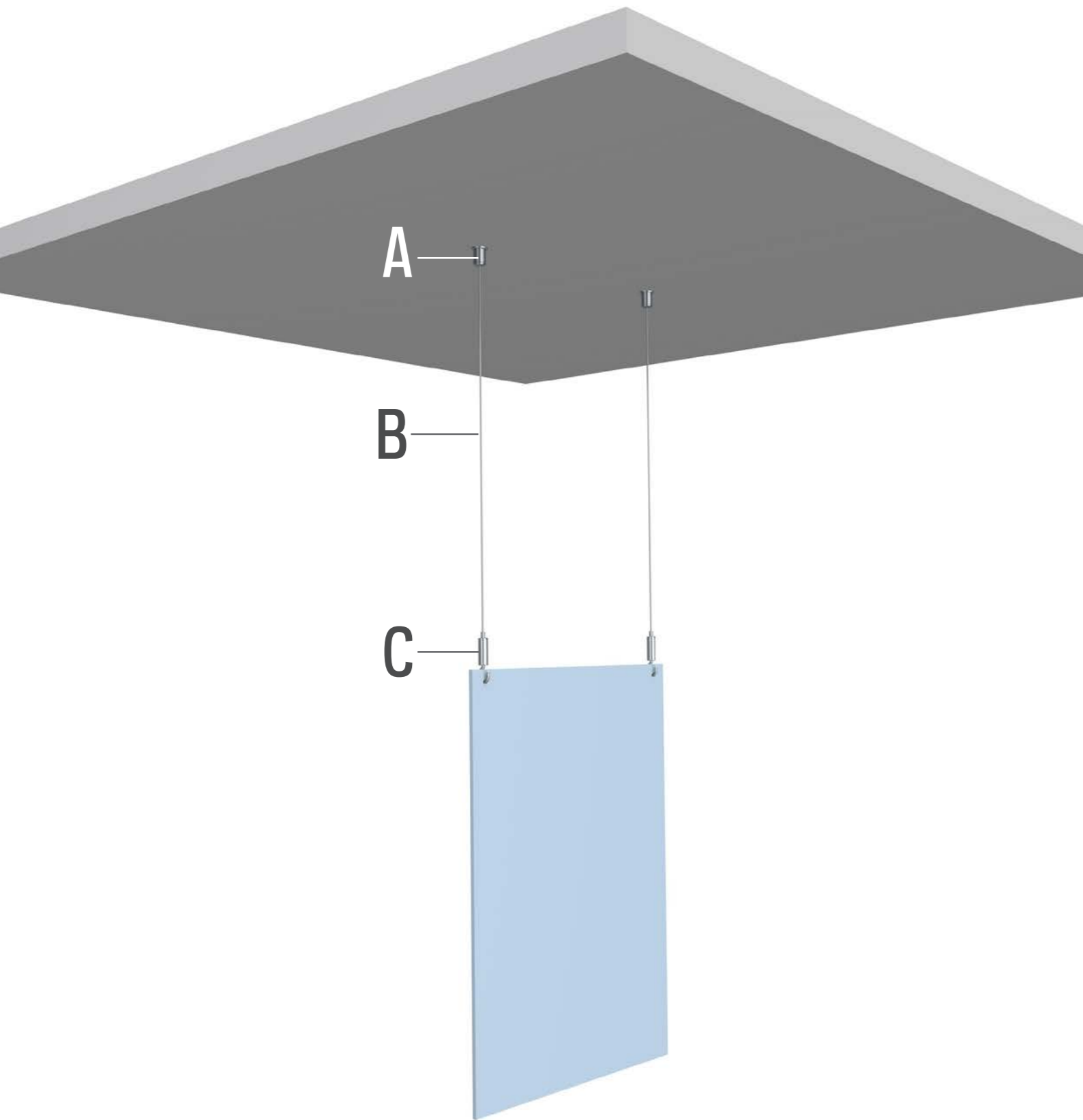
\* CONTENT FASTENER KIT

			AANTAL 200 cm
	05.15010	CLIP XPO RAIL	6x
	9.4931	PLUG FISCHER 5 mm	6x
	9.4929	SCREW FOR PLUG FISCHER 5 mm	6x
	05.15020 / 05.15030	END CAP XPO RAIL WHITE / BLACK	2x
	2639	INSTRUCTION	1x



installation video

# CEILING



**COMBINATION SHOWN:**  
A2 + B2 + C3

**POSSIBLE COMBINATIONS:**  
A1/A2 + B1/B2 + C1/C2/C3/C4/C5/C6/C7  
A3 + B3/B4/B5 + C1/C2/C3/C4/C5/C6/C7

# CEILING

A			A2			A3
CEILING BRACKET BLACK CO1BL 7807.100	PLUG (Ø 5 mm) 9.4931	SCREW 9.4929	CEILING BRACKET NICKEL CO1NI 7807.110	PLUG (Ø 5 mm) 9.4931	SCREW 9.4929	CEILING SUSPENSION AUTO GRIP 1,2 mm CS01NI 7807.140

B		B2		B3		B4		B5	
STEELWIRE + SLIDER 1,2 mm 200 cm BLACK 7807.200	STEELWIRE + SLIDER 1,2 mm 200 cm NICKEL 7807.210	STEELWIRE 7 x 7 1,2 mm 10 m* 7807.350	STEELWIRE BLACK 7 x 7 1,2 mm 3 m* 7807.360	STEELWIRE 7 x 7 1,2 mm SPOOL 100 m* 9.4907					

C		C2		C3		C4		C5		C6		C7	
STEELWIRE HOOK AUTO GRIP 1,2 mm ST01BL 7807.010	STEELWIRE HOOK AUTO GRIP 1,2 mm ST01NI 7807.020	STEELWIRE HOOK AUTO GRIP 1,2 mm ST02NI 7807.030	STEELWIRE HOOK AUTO GRIP 1,2 mm ST03NI 7807.040	STEELWIRE CLAMPHOOK AUTO GRIP 1,2 mm STC01NI 7807.050	STEELWIRE HOOK AUTO GRIP 1,2mm STD01NI NICKEL 7807.080	STEELWIRE HOOK AUTO GRIP 1,2mm STD01BL BLACK 7807.070							

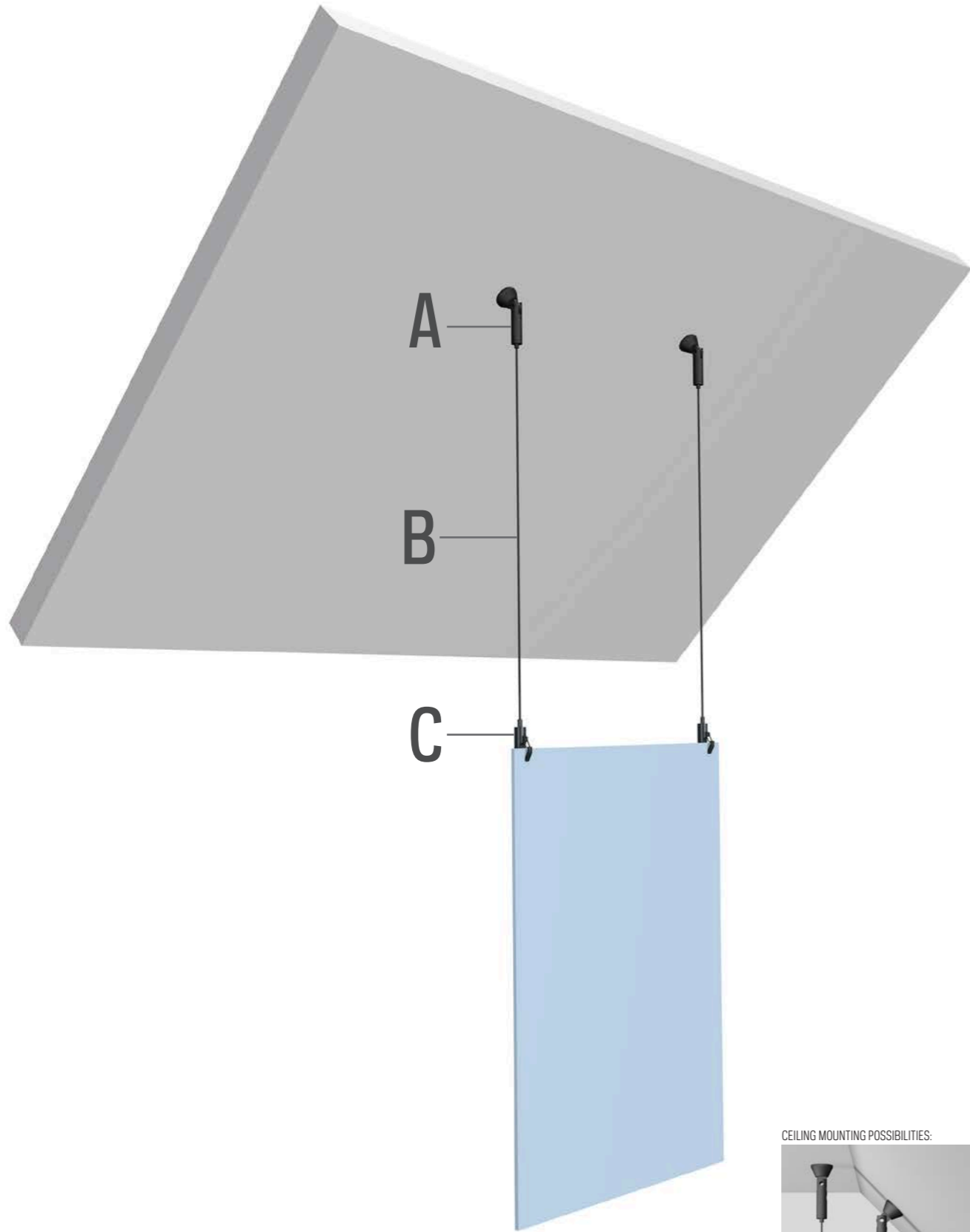
  

D	
COMPLETE SET	
2X	
SET CEILING 2x STEELWIRE 1,2 mm 300 cm + 2x CEILING BRACKET NICKEL + 2x STEELWIRE HOOK	
7807.520	

\* CABLE CUTTER 7807.900 AVAILABLE FOR USE WITH STEELWIRE 7 x 7 1,2mm



# CEILING SLANTED WALLS



**COMBINATION SHOWN:**  
A2 + B1 + C1

**POSSIBLE COMBINATIONS:**  
A1/A2 + B1/B2 + C1/C2/C3/C4/C5/C6/C7

CEILING MOUNTING POSSIBILITIES:

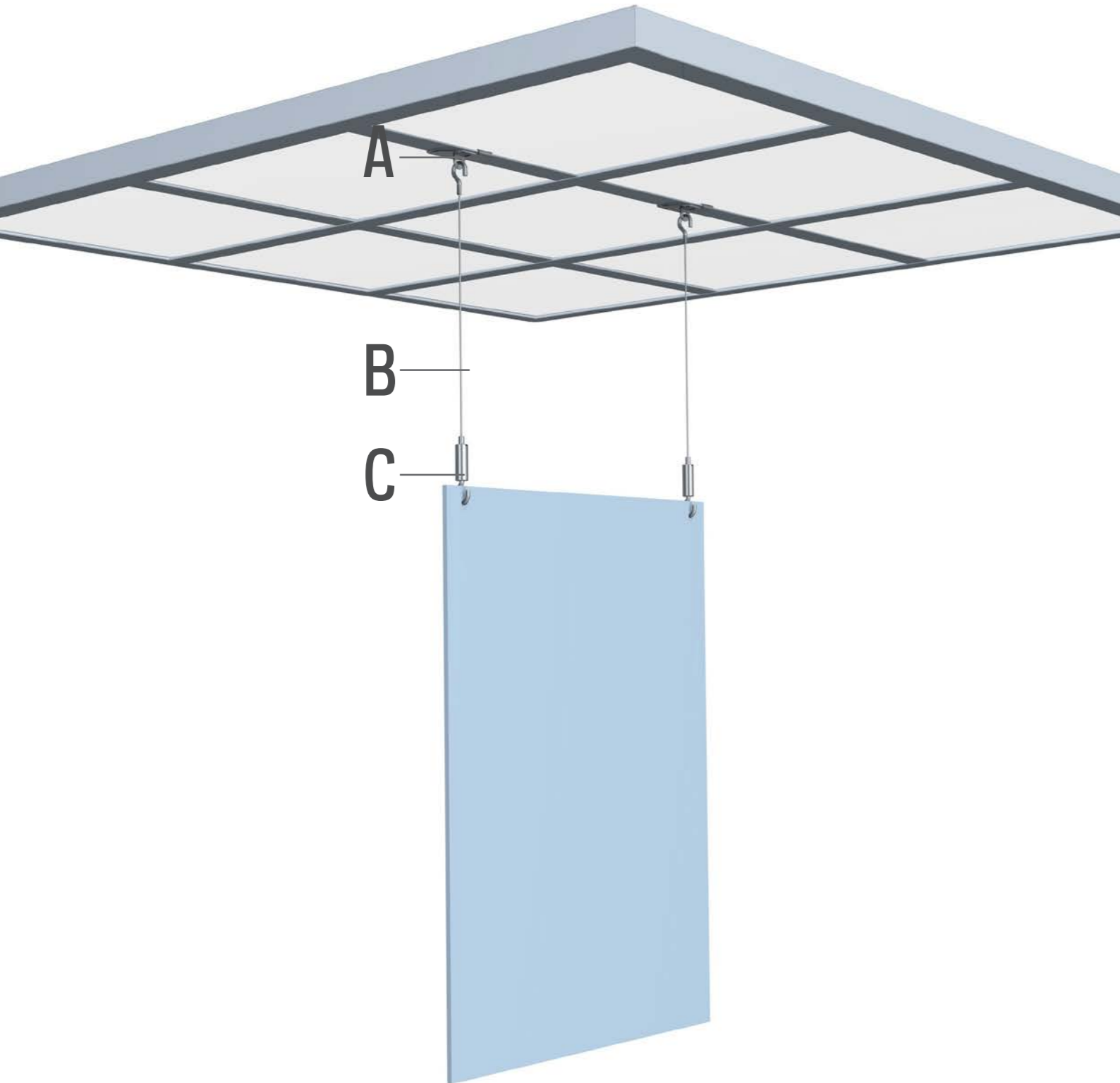


# CEILING SLANTED WALLS

<b>A</b>	A1		A2					
					CEILING BRACKET AUTO GRIP SILVER		CEILING BRACKET AUTO GRIP BLACK	
	7807.160		7807.150					
<b>B</b>	B1		B2		B3			
	STEELWIRE 7 x 7 1,2 mm 10 m*		STEELWIRE BLACK 7 x 7 1,2 mm 3 m*		STEELWIRE 7 x 7 1,2 mm SPOOL 100 m*			
	7807.350		7807.360		9.4907			
<b>C</b>	C1	C2	C3	C4	C5	C6	C7	
	STEELWIRE HOOK AUTO GRIP 1,2 mm ST01BL	STEELWIRE HOOK AUTO GRIP 1,2 mm ST01NI	STEELWIRE HOOK AUTO GRIP 1,2 mm ST02NI	STEELWIRE HOOK AUTO GRIP 1,2 mm ST03NI	STEELWIRE CLAMPHOOK AUTO GRIP 1,2 mm STC01NI	STEELWIRE HOOK AUTO GRIP 1,2mm STD01NI NICKEL	STEELWIRE HOOK AUTO GRIP 1,2mm STD01BL BLACK	
7807.010	7807.020	7807.030	7807.040	7807.050	7807.080	7807.070		

\* CABLE CUTTER 7807.900 AVAILABLE FOR USE WITH STEELWIRE 7 x 7 1,2mm

# RECESSED CEILING



**COMBINATION SHOWN:**  
A1 + B1 + C3

**POSSIBLE COMBINATIONS:**  
A1 + B1 + C1/C2/C3/C4/C5/C6/C7  
A2 + B2/B3/B4 + C1/C2/C3/C4/C5/C6/C7

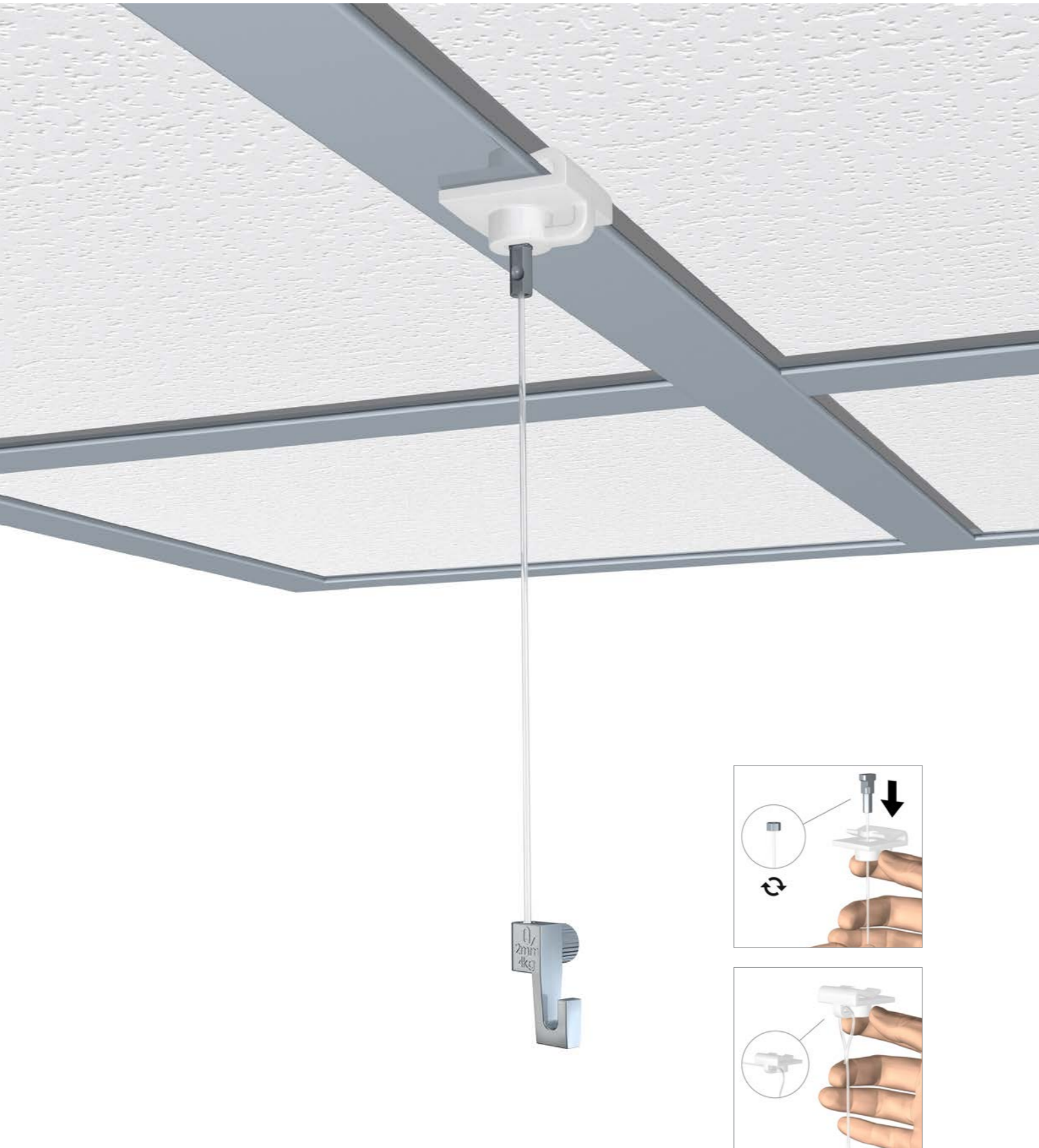
# RECESSED CEILING

<b>A</b>	A1		A2					
	RECESSED CEILING CLIP 20 mm		RECESSED CEILING CLIP 20 mm + SUSPENSION AUTO GRIP 1,2 mm					
	7807.120		7807.130					
<b>B</b>	B1		B2		B3		B4	
	STEELWIRE + HOOK 1,2 mm 300 cm		STEELWIRE 7 x 7 1,2 mm 10 m*		STEELWIRE BLACK 7 x 7 1,2 mm 3 m*		STEELWIRE 7 x 7 1,2 mm SPOOL 100 m*	
	7807.310		7807.350		7807.360		9.4907	
<b>C</b>	C1	C2	C3	C4	C5	C6	C7	
	STEELWIRE HOOK AUTO GRIP 1,2 mm ST01BL	STEELWIRE HOOK AUTO GRIP 1,2 mm ST01NI	STEELWIRE HOOK AUTO GRIP 1,2 mm ST02NI	STEELWIRE HOOK AUTO GRIP 1,2 mm ST03NI	STEELWIRE CLAMPHOOK AUTO GRIP 1,2 mm STC01NI	STEELWIRE HOOK AUTO GRIP 1,2mm STD01NI NICKEL	STEELWIRE HOOK AUTO GRIP 1,2mm STD01BL BLACK	
	7807.010	7807.020	7807.030	7807.040	7807.050	7807.080	7807.070	
	<b>D</b>							
	COMPLETE SET							
	SET RECESSED CEILING 2x STEELWIRE 1,2 mm 300 cm + 2x RECESSED CEILING CLIP + 2x STEELWIRE HOOK							
7807.510								

\* CABLE CUTTER 7807.900 AVAILABLE FOR USE WITH STEELWIRE 7 x 7 1,2mm



# RECESSED CEILING CLIP



**COMBINATION SHOWN:**  
A1 + B2 + C5

**POSSIBLE COMBINATIONS:**  
A1 + B3 + C1  
A1 + B4 + C1

# RECESSED CEILING CLIP

A



B

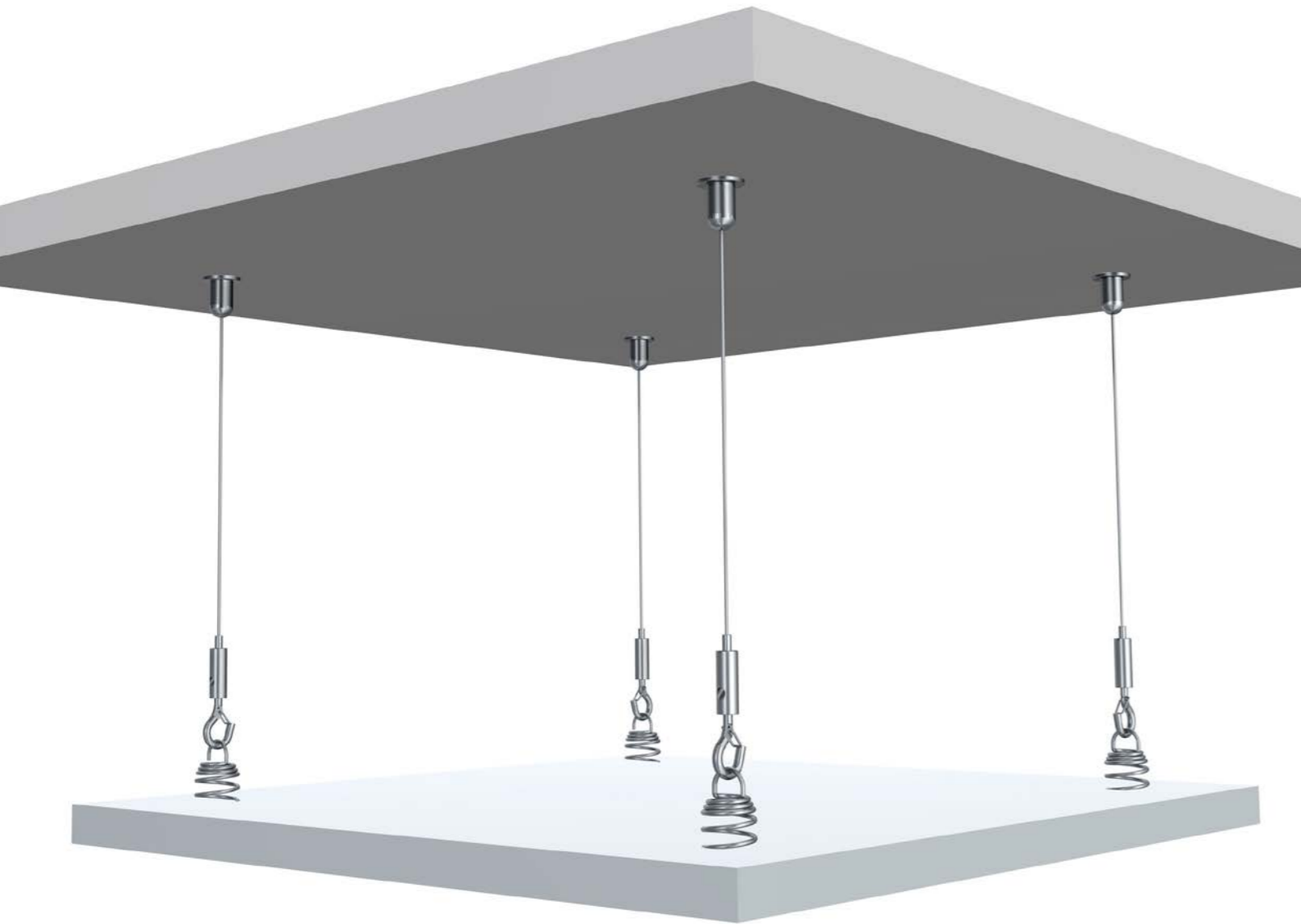
B1	B2	B3	B4
<b>TWISTER 1 mm PERLON</b>	<b>TWISTER 2 mm PERLON</b>	<b>SLIDER ECONOMY 2 mm PERLON</b>	<b>PERLONWIRE 2 mm SPOOL</b>
<b>30.21150</b> 150 cm	<b>09.23100</b> 100 cm	<b>9.4424</b> 100 cm	<b>9.4404</b> 100 cm
<b>30.21200</b> 200 cm	<b>09.23150</b> 150 cm	<b>9.4425</b> 150 cm	<b>9.4421S</b> 500 cm
<b>30.21300</b> 300 cm	<b>09.23200</b> 200 cm	<b>9.4426</b> 200 cm	<b>WIRE CLAMP 2mm ALU</b>
	<b>09.23250</b> 250 cm	<b>9.4427</b> 250 cm	<b>9.4431</b>
	<b>09.23300</b> 300 cm	<b>9.4428</b> 300 cm	
	<b>09.23500</b> 500 cm		

C

C1	C2
<b>30.41100</b>	<b>30.41200</b>
<b>AUTO GRIP</b>	<b>AUTO GRIP</b>

FOR MORE HOOKS SEE PAGE 68.








# CEILING ACOUSTIC








**COMBINATION SHOWN:**  
A2 + B2 + C4 + D

**POSSIBLE COMBINATIONS:**  
A1/A2 + B1/B2 + C1/C2/C3/C4 + D  
A3 + B3/B4/B5 + C1/C2/C3/C4 + D





# CEILING ACOUSTIC

A1			A2			A3
						
CEILING BRACKET BLACK C01BL	PLUG (0.5 mm)	SCREW	CEILING BRACKET NICKEL C01NI	PLUG (0.5 mm)	SCREW	CEILING SUSPENSION AUTO GRIP 1,2 mm CS01NI
7807.100	9.4931	9.4929	7807.110	9.4931	9.4929	7807.140


  

B1		B2		B3		B4		B5	
									
STEELWIRE + SLIDER 1,2 mm 200 cm BLACK	STEELWIRE + SLIDER 1,2 mm 200 cm NICKEL	STEELWIRE 7 x 7 1,2 mm 10 m*		STEELWIRE BLACK 7 x 7 1,2 mm 3 m*		STEELWIRE 7 x 7 1,2 mm SPOOL 100 m*			
7807.200	7807.210	7807.350		7807.360		9.4907			

C1		C2		C3		C4	
							
STEELWIRE HOOK AUTO GRIP 1,2 mm ST01BL		STEELWIRE HOOK AUTO GRIP 1,2 mm ST01NI		STEELWIRE HOOK AUTO GRIP 1,2 mm ST02NI		STEELWIRE HOOK AUTO GRIP 1,2 mm ST03NI	
7807.010		7807.020		7807.030		7807.040	

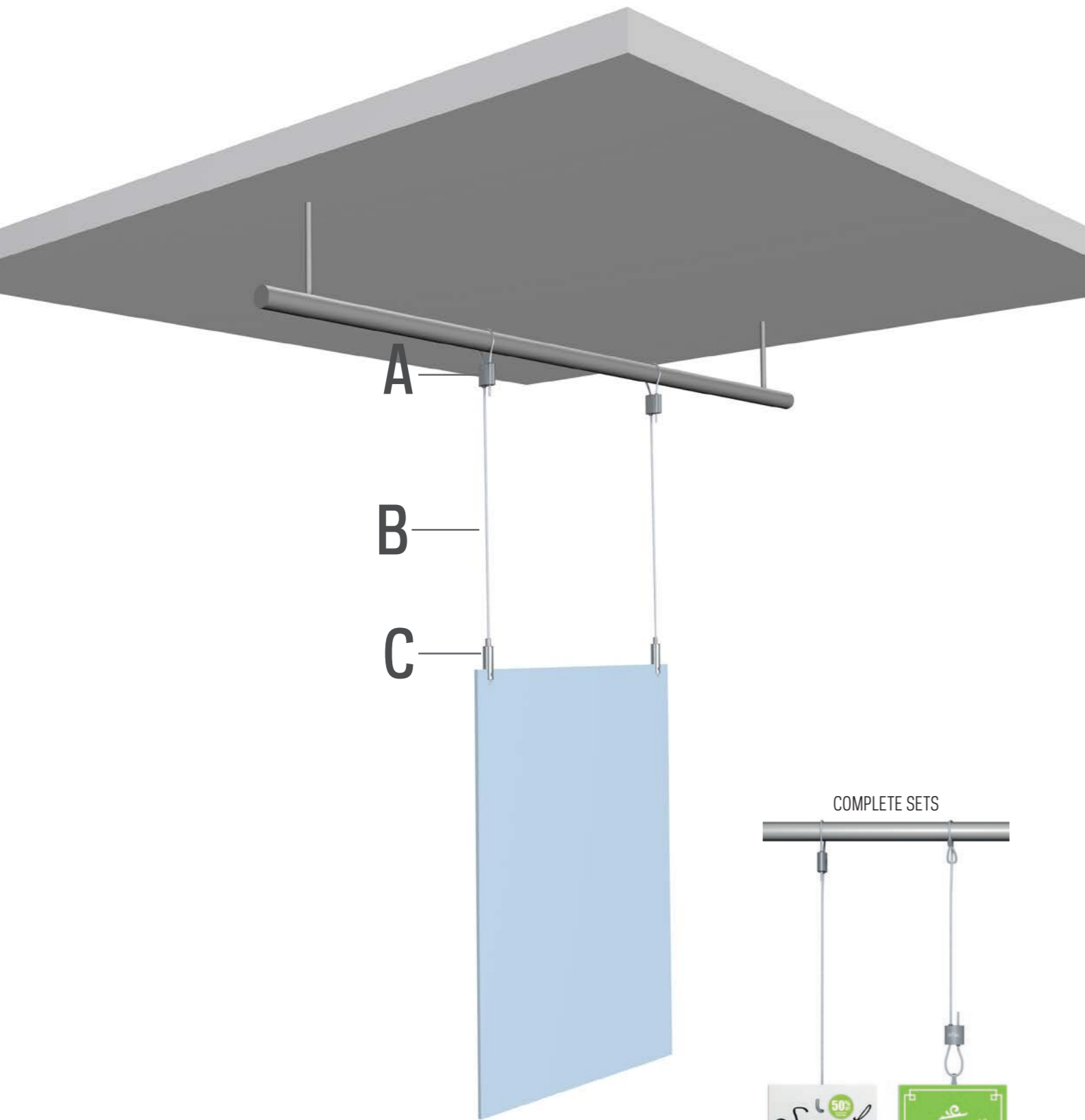
  

D	
	
ACOUSTIC SPRING 01-NI	
7807.400	

\* CABLE CUTTER 7807.900 AVAILABLE FOR USE WITH STEELWIRE 7 x 7 1,2mm



# LOOP HANGER



COMBINATION SHOWN:  
A + B + C5

POSSIBLE COMBINATIONS:  
A + B1/B2/B3 + C1/C2/C3/C4/C5/C6/C7



# LOOP HANGER

A



B



C

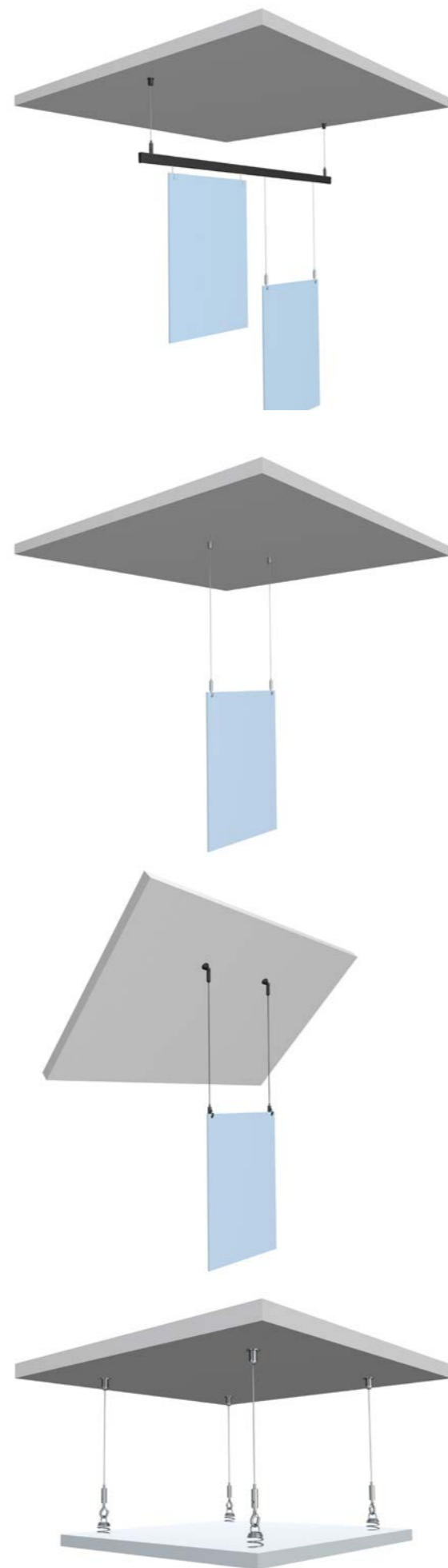
C1	C2	C3	C4	C5	C6	C7
STEELWIRE HOOK AUTO GRIP 1,2 mm ST01BL	STEELWIRE HOOK AUTO GRIP 1,2 mm ST01NI	STEELWIRE HOOK AUTO GRIP 1,2 mm ST02NI	STEELWIRE HOOK AUTO GRIP 1,2 mm ST03NI	STEELWIRE CLAMPHOOK AUTO GRIP 1,2 mm STC01NI	STEELWIRE HOOK AUTO GRIP 1,2mm STD01NI NICKEL	STEELWIRE HOOK AUTO GRIP 1,2mm STD01BL BLACK
7807.010	7807.020	7807.030	7807.040	7807.050	7807.080	7807.070

D



\* CABLE CUTTER 7807.900 AVAILABLE FOR USE WITH STEELWIRE 7 x 7 1,2mm

# SIGN HANGING SYSTEMS



# SIGN HANGING SYSTEMS

Artiteq has selected the Fischer UX 5x30 R plug to be used in combination with its hanging systems. The Fischer UX 5x30 R plug can be used in different kinds of materials, such as concrete, stone and plasterboard. Depending on the material, the plug can support a maximum load of 30 kg. The drill used with the plug must have a diameter of 5 mm. The plug is 30 mm in length. The screw used with the plug is 38 mm long and has a diameter of 3.5 mm (to be used in combination with a PZ2 bit).

To determine the maximum load of a signing hanging system, it must be known what type of mounting materials will be used and what surface (i.e. type of material) these will be attached to. The components of the signing hanging system all have a maximum bearing capacity. This is the maximum bearing capacity for the component itself and not the maximum bearing capacity that must be taken into account for the system as a whole. For the whole system, the load capacity that is recommended for the mounting material in combination with the respective base material, takes precedence.

For every signing hanging system, the weight that you wish to hang must be balanced against the maximum load capacity of the mounting material. If systems are hung from other hanging components, such as recessed ceilings, you have to know the maximum load of this hanging component before fitting our systems. The tables below show the maximum load capacity for the Fischer plug in combination with different materials and the maximum bearing capacity for each component for the different signing hanging systems.

TYPE	UX 5X 30		
<b>RECOMMENDED LOADS IN THE RESPECTIVE BASE MATERIAL <math>F_{REC}^{2)}</math></b>			
Concrete	$\geq C20/25$	[kN]	0,30
Solid brick	$\geq Mz 12$	[kN]	0,20
Perforated sand-lime brick	$\geq KSL 12$	[kN]	0,30
Vertically perforated brick	$\geq Hz 12$	[kN]	0,20
Aerated concrete	$\geq AAC 4$	[kN]	0,15
Gypsum plasterboard	12,5 mm	[kN]	0,10
Gypsum plasterboard	25 mm	[kN]	0,10
Gypsum fibreboard	(Fermacell)	[kN]	0,20
Gypsum block	$\rho \geq 0,9 \text{ kg/dm}^3$	[kN]	-

1 Required safety factors are considered.  
2 Valid for tensile load, shear load and oblique load under any angle



ART. NO.	DESCRIPTION	MAX. CAPACITY
7807.060	Suspension bracket Xpo Rail 1,2 mm	15 kg
7807.200	Steelwire + slider 1,2 mm 200 cm black	15 kg
7807.210	Steelwire + slider 1,2 mm 200 cm nickel	15 kg
7807.100	Ceiling Bracket black C01BL	15 kg
7807.110	Ceiling Bracket nickel C01NI	15 kg
7807.350	Steelwire 7x7 1,2 mm 10 m	15 kg
7807.360	Steelwire black 7x7 1,2 mm 3 m	15 kg
7805.052	Loop Hanger 1,0 mm - 1,5mm	10 kg
7807.120	Recessed Ceiling Clip 20 mm	5 kg
7807.125	Recessed Ceiling Clip eco white	1 kg
7807.130	Recessed Ceiling Clip 20 mm + suspension auto grip 1,2 mm	5 kg
7807.310	Steelwire + hook 1,2 mm 300 cm	15 kg
7807.010	Steelwire Hook auto grip 1,2 mm ST01BL	15 kg
7807.020	Steelwire Hook auto grip 1,2 mm ST01NI	15 kg
7807.030	Steelwire Hook auto grip 1,2 mm ST02NI	15 kg
7807.040	Steelwire Hook auto grip 1,2 mm ST03NI	15 kg
7807.400	Acoustic Spring 01-NI	5 kg
7807.050	Steelwire Clamphook auto grip 1,2 mm STC01NI	15 kg
7807.070	Steelwire Hook auto grip 1,2mm STD01BL black	15 kg
7807.080	Steelwire Hook auto grip 1,2mm STD01NI nickel	15 kg
7807.160	Ceiling bracket auto grip nickel	15 kg
7807.150	Ceiling bracket auto grip black	15 kg



## ▶ SALES SUPPORT



HIGH QUALITY  
MULTIFUNCTIONAL  
DESIGN

# DISPLAYS & DEMONSTRATION TOOLS



DISPLAY HANGING SOLUTIONS MICRO GRIP		
3291C	DISPLAY HANGING SOLUTIONS MICRO GRIP	50x34x212 cm

CONTENT DISPLAY HANGING SOLUTIONS MICRO GRIP (3291C)		QUANTITY
9.7130	ALL-IN-ONE KIT 2 m CLICK MICRO GRIP RAIL WHITE PRIMER	12
9.7131	ALL-IN-ONE KIT 4 m CLICK MICRO GRIP RAIL WHITE PRIMER	8
9.7090	MICRO GRIP 2 mm (2X)	10
9.7091	TWISTER 2 mm PERLON 2mm 200 cm + MICRO GRIP 2 mm	10
9.7092	TWISTER 2 mm PERLON 2mm 200 cm (2X)	5
9.7093	INSTALLATION SET CLICK RAIL 2 m	5
9.7094	PICTURE MOUSE SOLO	5
9.7141	INFO RAIL RETAIL PACK WHITE 100 cm	5

CONTENT DISPLAY 3291C:

## INFO RAIL RETAIL PACK



9.7141	INFO RAIL RETAIL PACK WHITE 100 cm
--------	------------------------------------

SEE PAGE 100 FOR INFO RAIL

CONTENT DISPLAY 3291C:

# ALL-IN-ONE CLICK RAIL WHITE PRIMER TWISTER MICRO GRIP 20 KG HOOK

### COMPLETE SET 2m

	<b>1x 2m</b> 	<b>6x</b> 	<b>2x</b> 	<b>2x</b> 
	CLICK RAIL WHITE PRIMER RAL 9016	FASTENER MATERIAL	END CAP	MICRO GRIP 2 mm + TWISTER 2 mm PERLON
ARTICLE NO.	9.7130			

### COMPLETE SET 4m

	<b>2x 2m</b> 	<b>12x</b> 	<b>2x</b> 	<b>3x</b> 
	CLICK RAIL WHITE PRIMER RAL 9016	FASTENER MATERIAL	END CAP	MICRO GRIP 2 mm + TWISTER 2 mm PERLON
ARTICLE NO.	9.7131			

SEE PAGE 8 FOR CLICK RAIL

CONTENT DISPLAY 3291C:

### ACCESSORIES RETAIL SETS

	9.7090	MICRO GRIP 2 mm (2x)
	9.7091	TWISTER 2 mm PERLON 200 cm + MICRO GRIP 2 mm
	9.7092	TWISTER 2 mm PERLON 200 cm (2x)
	9.7093	INSTALLATION SET CLICK RAIL 2 m
	9.7094	PICTURE MOUSE SOLO



# DISPLAYS & DEMONSTRATION TOOLS



DISPLAY ART HANGING SOLUTIONS XS		
3290C	DISPLAY AHS XS	50 x 34 x 212 cm

CONTENT DISPLAY ART HANGING SOLUTIONS XS		QUANTITY
9.4348	CLICK RAIL WHITE PRIMER 200 cm	20
9.7051	END CAP WHITE (2x)	6
9.7053	CORNER CONNECTOR (2x)	6
9.7055	CLICK & CONNECT (6x) + SCREWS + PLUGS	6
9.7058	HOOK 15 kg (2x)	6
9.7075	HOOK 4 kg (2x)	6
9.7076	TWISTER 2 mm PERLON 200 cm (2x)	12
9.7082	HOOK 4 kg + TWISTER 2 mm PERLON 150 cm	6
9.7083	HOOK 15 kg + TWISTER 2 mm PERLON 150 cm	6
9.7162	ALL-IN-ONE KIT CLICK RAIL WHITE PRIMER 200 cm	12
	BROCHURE	25
3290	DISPLAY	1

## ACCESSOIRES RETAIL SETS



9.7051	END CAP WHITE (2x)
9.7053	CORNER CONNECTOR (2x)
9.7055	CLICK & CONNECT (6x) + SCREWS + PLUGS
9.7058	HOOK 15 kg (2x)
9.7075	HOOK 4 kg (2x)
9.7076	TWISTER 2 mm PERLON 200 cm (2x)
9.7077	TWISTER 2 mm STEELWIRE 200 cm (2x)
9.7080	HOOK 15 KG + TWISTER 2 mm STEELWIRE 150 cm
9.7082	HOOK 4 kg + TWISTER 2 mm PERLON 150 cm
9.7083	HOOK 15 kg + TWISTER 2 mm PERLON 150 cm

# ALL-IN-ONE CLICK RAIL TWISTER 15 KG HOOK

## RETAIL SETS

### COMPLETE SET 2m

	 1x 2m	 6x	 2x	 150 cm 2x max. 15 kg
	CLICK RAIL WHITE PRIMER RAL 9016	FASTENER MATERIAL	END CAP	HOOK 15 kg + TWISTER 2 mm PERLON
ARTICLE NO.	9.7162			

### COMPLETE SET 2m

	 1x 2m	 6x	 2x	 150 cm 2x max. 15 kg
	CLICK RAIL WHITE RAL 9010	FASTENER MATERIAL	END CAP	HOOK 15 kg + TWISTER 2 mm PERLON
ARTICLE NO.	9.7161			

### COMPLETE SET 2m

	 1x 2m	 6x	 2x	 150 cm 2x max. 15 kg
	CLICK RAIL ALU BRUSHED	FASTENER MATERIAL	END CAP	HOOK 15 kg + TWISTER 2 mm PERLON
ARTICLE NO.	9.7163			

### COMPLETE SET 2m

	 1x 2m	 6x	 2x	 150 cm 2x max. 15 kg
	CLICK RAIL ALU BRUSHED	FASTENER MATERIAL	END CAP	HOOK 15 kg + TWISTER 2 mm STEELWIRE
ARTICLE NO.	9.7164			

# DISPLAYS & DEMONSTRATION TOOLS

## DEMONSTRATION TOOLS



DEMONSTRATION BOARDS	
9.5730	DEMOBOARD CLICK RAIL PRO 50 x 130 cm
9.5731	DEMOBOARD COMBI RAIL PRO LIGHT 50 x 130 cm
9.5732	DEMOBOARD CLASSIC RAIL + CLASSIC RAIL+ 50 x 130 cm
9.5733	DEMOBOARD DECO RAIL 50 x 130 cm
9.5735	DEMOBOARD DISPLAY IT FIXED + FLEX 50 x 130 cm
9.5738	DEMOBOARD PICTURE MOUSE SOLO DISPLAY IT SOLO SET 50 x 130 cm
9.5739	DEMOBOARD WHITEBOARDSET + PARTITION WALL HOOKS 50 x 130 cm
9.5740	DEMOBOARD CONTOUR RAIL 50 x 130 cm
9.5741	DEMOBOARD LOOP HANGER 50 x 130 cm
9.5742	DEMOBOARD INFO RAIL + INFO RAIL ACCESSORIES 50 x 130 cm
9.5743	DEMOBOARD CLICK FRAMES + POSTER SNAP 50 x 130 cm
9.5745	DEMOBOARD SHADOWLINE 50 x 130 cm
9.5746	DEMOBOARD ARTSTRIP + CEILING STRIP 50 x 130 cm
9.5747	DEMOBOARD TOP RAIL + UP RAIL 50 x 130 cm
9.5748	DEMOBOARD INFO RAIL PLUS + INFO RAIL MAGNETIC



FLOORDISPLAY (DOUBLE-SIDED)	
3324	DISPLAY (150 cm HEIGHT, 40 cm WIDTH)

CHOOSE 2 PANELS:

9.5801	PICTURE HANGING SYSTEMS - WALL SYSTEMS
9.5802	PICTURE HANGING SYSTEMS - CEILING/INTEGRATED SYSTEMS
9.5803	PICTURE HANGING SYSTEMS - FRAME ACCESSORIES
9.5804	SIGN HANGING SYSTEMS
9.5806	SIGN HANGING SYSTEMS - RAIL
9.5807	PICTURE HANGING SYSTEMS - SOLO SYSTEMS
9.5809	PRESENTATION SYSTEMS - DISPLAY IT LED FLEX
9.5810	PRESENTATION SYSTEMS - DISPLAY IT LED FIXED

# DISPLAYS & DEMONSTRATION TOOLS

## DEMONSTRATION TOOLS

SAMPLE BOX		
3259	PICTURE HANGING SYSTEMS	32 x 23 x 3 cm



DEMONSTRATION CASE		
5038	DEMONSTRATION CASE + SET 3 INLAYS WITH SAMPLES	58 x 40 x 12 cm
3244	SIGN HANGING SYSTEMS	30 x 22 x 5 cm



## BROCHURES

ARTICLE NO.	DESCRIPTION
2740	ARTITEQ PRODUCT CATALOGUE NL
2741	ARTITEQ PRODUCT CATALOGUE EN
2490	BROCHURE FOR SCHOOLS NL
2491	BROCHURE FOR SCHOOLS EN
2494	BROCHURE INTEGRATED SYSTEMS NL
2495	BROCHURE INTEGRATED SYSTEMS EN
2685	BROCHURE BACK FRAME HANGING SYSTEM NL
2686	BROCHURE BACK FRAME HANGING SYSTEM EN

ARTICLE NO.	DESCRIPTION
3746	BROCHURE ENJOY LIFE LOVE LIVING NL
3747	BROCHURE ENJOY LIFE LOVE LIVING EN
3748	BROCHURE ENJOY LIFE LOVE LIVING FR
3450	BROCHURE ENJOY LIFE LOVE LIVING DE
2725	BROCHURE DISPLAY IT LED NL
2726	BROCHURE DISPLAY IT LED EN
1059	MINI CATALOGUE
2700	BROCHURE ARTITEQ SIGN HANGING SYSTEMS NL
2701	BROCHURE ARTITEQ SIGN HANGING SYSTEMS EN









ARTITEQ  
HERASTRAAT 39  
5047 TX TILBURG  
THE NETHERLANDS  
T +31 (0)13 572 90 70  
F +31 (0)13 572 90 75  
INFO@ARTITEQ.COM  
WWW.ARTITEQ.COM

